

TYLER STREET IMPROVEMENTS

SENA DR TO WASHINGTON AVE.

CONWAY, ARKANSAS

CONSTRUCTION PACKAGE

VICINITY MAP

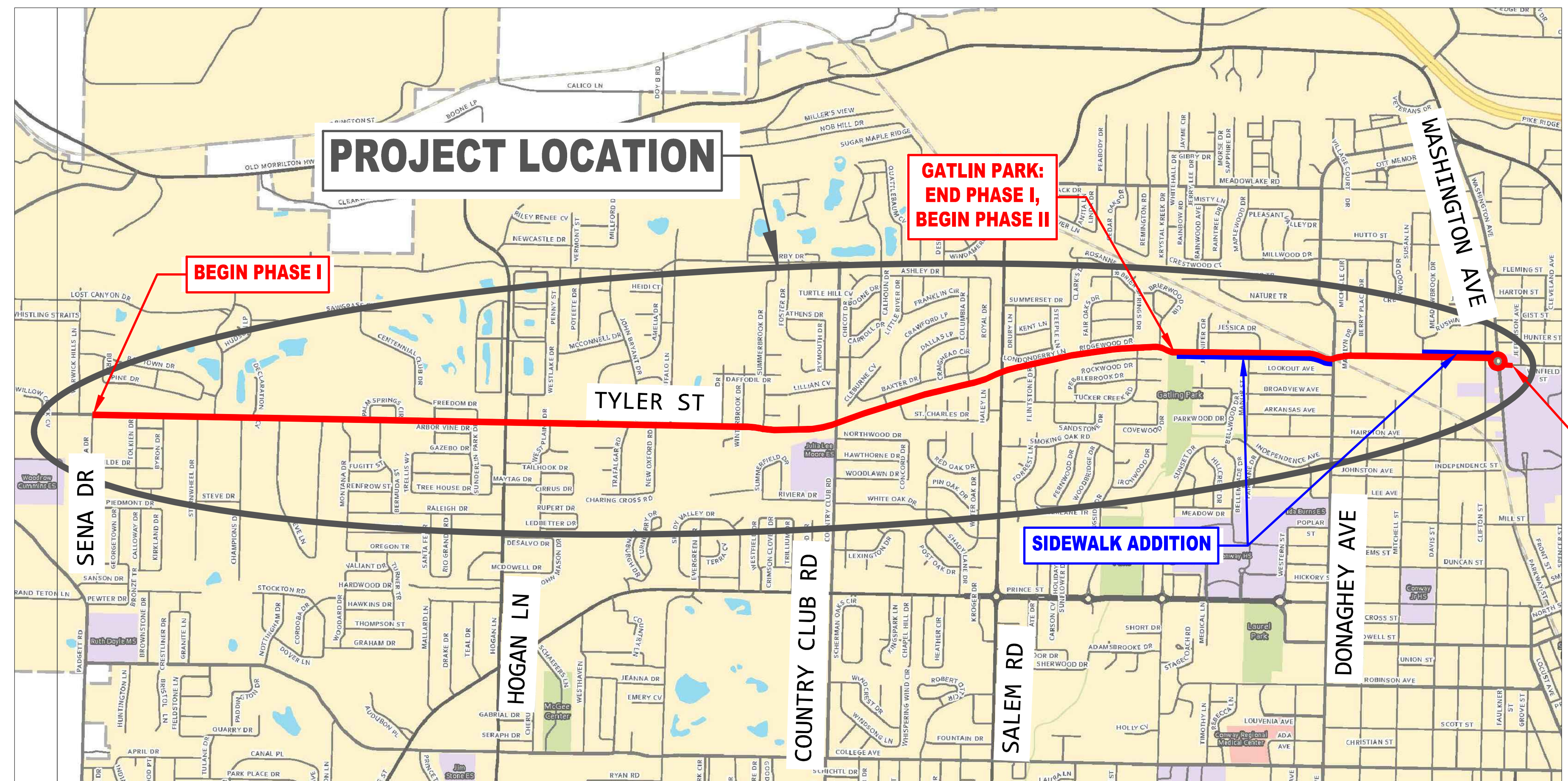
INDEX TO DRAWINGS



CITY OF CONWAY
TRANSPORTATION
DEPARTMENT
100 EAST ROBINS
CONWAY, AR 72032
501-450-6165

REVISIONS

NO.	DESCRIPTION	DATE



SHEET NO.	TITLE
1	COVER SHEET
2	GENERAL NOTES
3-5	TYPICAL SECTIONS
6-8	SPECIAL DETAILS
9	SIDEWALK ADDITION OVERALL LAYOUT
10-14	SIDEWALK ADDITION PLAN SHEETS
15-23	MILL, INLAY AND STRIPING PLAN SHEETS
24-25	QUANTITIES
26	SUMMARY OF QUANTITIES

REFERENCE CITY OF CONWAY STANDARD DRAWINGS:
AR-4, AR-5, AR-6, D-2, D-3, EC-1, EC-3,
PM-1, PM-2, PM-3, PM-4, & SW-1
(ATTACHED)

PHASE I: MILL & INLAY (SENA DR TO GATLIN PARK)
PHASE II: MILL & INLAY, SIDEWALK ADDITION (GATLIN PARK TO WASHINGTON AVE)

N.T.S

DATE: MARCH 31, 2019
JOB#: 18-125

CONWAY TRANSPORTATION DEPARTMENT
100 E. ROBINS STREET STREET CONWAY, ARKANSAS
PH: 501.450.6165 FAX: 501.513.3566

TYLER STREET IMPROVEMENTS
SENA DR TO WASHINGTON AVE
CONWAY, ARKANSAS

JOB NUMBER: 18-125
DRAWN BY: MHW1
CHECKED BY: BVF3
DATE: 1/11/2019

COVER SHEET

REVISIONS

NO.	DESCRIPTION	DATE

**TYLER STREET IMPROVEMENTS
SENA DR TO WASHINGTON AVE
CONWAY, ARKANSAS**

JOB NUMBER: 18-103
DRAWN BY: MHW1
CHECKED BY: BFV3
DATE: 8/14/2018
SCALE: 1"=20'

GENERAL NOTES

GENERAL CONSTRUCTION REQUIREMENTS:

1. THE TRANSPORTATION DEPARTMENT SHALL BE NOTIFIED 24 HOURS PRIOR TO PLACEMENT OF ANY FILL MATERIAL, INSTALLATION OF STORM DRAINAGE PIPE OR DRAINAGE STRUCTURES, CONCRETE CURB & GUTTER, PLACEMENT OF CRUSHED STONE OR ASPHALT. THE SUBGRADE SHALL BE APPROVED BY THE CONWAY STREET DEPARTMENT PRIOR TO PLACEMENT OF CURB AND GUTTER OR CRUSHED STONE.
2. EARTHWORK EQUIPMENT SHALL INCLUDE AN APPROPRIATE SIZE VIBRATORY SHEEP'S FOOT COMPACTOR, WATER TRUCK AND MOTOR PATROL.
3. ALL EARTHWORK SHALL CONFORM TO THE REQUIREMENTS OF SECTIONS 210 AND 212 OF ARKANSAS STATE HIGHWAY DEPARTMENT'S "STANDARD SPECIFICATIONS FOR HIGHWAY CONSTRUCTION".
4. THE SUBGRADE (BACK OF CURB TO BACK OF CURB) SHALL BE PREPARED IN ACCORDANCE WITH SECTION 212 OF THE ARKANSAS STATE HIGHWAY DEPARTMENT'S "STANDARD SPECIFICATIONS FOR HIGHWAY CONSTRUCTION". PRIOR TO PLACEMENT OF THE CRUSHED STONE BASE COURSE THE SUBGRADE MUST BE VERIFIED TO CONFORM TO THE PROPER SHAPE AND GRADE AND MUST FIELD DEMONSTRATE THAT IT IS FIRM AND UNYIELDING TO THE PASSAGE OF EQUIPMENT OVER THE SUBGRADE.
5. ALL STORM DRAINAGE PIPE SHALL BE RCP CLASS III UNLESS SPECIFICALLY APPROVED OTHERWISE.
6. CRUSHED STONE BASE COURSE SHALL CONFORM TO THE REQUIREMENT FOR CLASS 7 AGGREGATE BASE COURSE AS DESCRIBED IN SECTION 303-AGGREGATE BASE COURSE OF THE ARKANSAS HIGHWAY DEPARTMENT'S "STANDARD SPECIFICATIONS FOR HIGHWAY CONSTRUCTION". THE CRUSHED STONE BASE COURSE GRADATION SHALL CONFORM TO THE ABOVE REFERENCED SPECIFICATION FOR THIS MATERIAL AFTER THE MATERIAL HAS BEEN PLACED AND COMPACTED. SAMPLES OF THE IN-PLACE MATERIAL MAY BE OBTAINED AND TESTED BY THE OWNER TO ASSURE CONFORMANCE TO THE SPECIFICATION. MATERIAL NOT CONFORMING TO THE SPECIFICATIONS SHALL BE REMOVED AND REPLACED. IN ADDITION, THE CRUSHED STONE BASE COURSE MATERIAL SHALL HAVE A MINIMUM CBR (CALIFORNIA BEARING RATIO) OF 75 AS DESCRIBED IN THE PROJECT SPECIFICATIONS.
7. ALL MUD, SOIL AND LOOSE GRAVEL SHALL BE REMOVED FROM THE CRUSHED STONE BASE AND CONCRETE CURB AND GUTTER PRIOR TO PLACEMENT OF ASPHALT.
8. STORM DRAINAGE PIPES, DITCHES AND DRAINAGE STRUCTURES MUST BE FREE OF SEDIMENTS, TRASH, DEBRIS AND PONDING WATER PRIOR TO FINAL APPROVAL OF THE STREETS.
9. PRIOR TO THE PLACEMENT OF CONCRETE FOR CURB INLETS, BOX CULVERTS OR OTHER CONCRETE STRUCTURES, THE CONTRACTOR SHALL PROVIDE 24-HOUR NOTICE OF THE INTENT TO PLACE CONCRETE AND REQUEST THAT THE CITY INSPECT THE REINFORCING STEEL AND FORMING TO VERIFY CONFORMANCE WITH THE PLANS. CONCRETE PLACED WITHOUT CITY INSPECTION TO VERIFY REINFORCING STEEL PLACEMENT AND CONCRETE THICKNESS WILL NOT BE ACCEPTED AND SHALL BE TORN OUT AND RECONSTRUCTED WITH APPROPRIATE CITY APPROVAL.
10. CONSTRUCTION SHALL NOT COMMENCE ON THIS PROJECT UNTIL PLAN EROSION CONTROL MEASURES HAVE BEEN PROPERLY IMPLEMENTED.
11. THE CONTRACTOR SHALL PROVIDE APPROPRIATE ADVANCED WARNING DEVICES, BARRICADES, BARRELS AND OTHER MEASURES AS NEEDED TO PROPERLY CONTROL AND ADVISE TRAFFIC.
12. THE CONTRACTOR SHALL KEEP THE ADJACENT PUBLIC STREETS CLEAN AND FREE OF SEDIMENT, GRAVEL, AND OTHER DEBRIS.
13. THE CONTRACTOR SHALL BE RESPONSIBLE FOR MAINTAINING U.S. MAILBOXES WITHIN THE PROJECT LIMITS IN SUCH A MANNER THAT THE PUBLIC MAY RECEIVE CONTINUED MAIL SERVICE. PAYMENT WILL BE CONSIDERED INCLUDED IN THE PRICE BID FOR THE VARIOUS BID ITEMS.
14. ALL TREES THAT DO NOT DIRECTLY INTERFERE WITH THE PROPOSED CONSTRUCTION SHALL BE SPARED AS DIRECTED BY THE ENGINEER. CARE AND DISCRETION SHALL BE USED TO INSURE THAT ALL TREES NOT TO BE REMOVED SHALL BE HARMED AS LITTLE AS POSSIBLE DURING THE CONSTRUCTION OPERATIONS.
15. THE SEQUENCE AS SHOWN ON THE MAINTENANCE OF TRAFFIC PLANS IS A GENERAL OUTLINE FOR THE CONSTRUCTION OF THIS PROJECT, AND IN NO WAY IS IT INTENDED TO COVER EVERY ITEM IN THE PROJECT. ITEMS NOT CRITICAL TO THE CONSTRUCTION SEQUENCE MAY BE CONSTRUCTED IN ANY STAGE AS APPROVED BY THE ENGINEER.
16. ALL WORK SHALL CONFORM TO THE CITY OF CONWAY STANDARD DETAILS AND SPECIAL PROVISIONS.

SIDEWALK REQUIREMENTS:

ALL WORK SHALL COMPLY WITH SECTION 633 OF THE AHTD STANDARD SPECIFICATIONS.

1. SIDEWALK CONSTRUCTION SHALL NOT BEGIN UNTIL ISSUANCE OF PHASE II NOTICE TO PROCEED.
2. EXPANSION MATERIAL SHALL BE REQUIRED AT 50 FT. MAXIMUM SPACING.
3. SIDEWALKS SHALL HAVE SAW CUT TRANSVERSE JOINTS AT INTERVALS EQUAL TO THE WIDTH OF THE SIDEWALK. TOOLED JOINTS WILL NOT BE PERMITTED.
4. EXPANSION JOINT MATERIAL SHALL BE PRE-FORMED ASPHALT IMPREGNATED FIBERBOARD CONFORMING TO AASHTO M-213. EXPANSION JOINT MATERIAL SHALL BE LEFT 1/2" LOWER AND FILLED WITH SILICONE SEALER TO FINISH GRADE.
5. ALL COLD JOINTS AND SAW CUT JOINTS SHALL BE FILLED TO FINISH GRADE WITH JOINT SEALANT.
6. ALL SIDEWALKS SHALL HAVE 1/2" ROLLED EDGES AND BROOM FINISH.
7. POSITIVE DRAINAGE TO BE MAINTAINED BEHIND SIDEWALKS AT ALL TIMES
8. ALL SIDEWALKS REQUIRE INSPECTION BEFORE AND AFTER CONCRETE PLACEMENT. SIDEWALKS WILL BE INSPECTED FOR ADA REQUIREMENTS & WORKMANSHIP.

ACHM MIX DESIGN REQUIREMENTS:

ALL DESIGNS AND REPORTS SHALL COMPLY WITH SECTIONS 404, 407, 409, AND 410 OF THE AHTD STANDARD SPECIFICATIONS EXCEPT WHERE MODIFIED BY THE CONWAY ASPHALT CONCRETE HOT MIX (ACHM) SURFACE COURSE SPECIAL PROVISION.

1. PROJECT MIX DESIGN SHALL BE A TYPE 3 MARSHALL MIX (3/8" NMS)
2. NO OF BLOWS = 75
3. PG GRADE SHALL BE 70-22
4. FINAL MIX DESIGN REPORT SHALL BE SUBMITTED TO AND APPROVED BY THE CONWAY CITY ENGINEER BEFORE ANY PAVING IS TO COMMENCE.

EROSION CONTROL REQUIREMENTS:

1. INSTALL SILT FENCE DOWN GRADIENT OF ALL AREAS WHERE THE GROUND SURFACE IS DISTURBED.
2. INSTALL SILT FENCES AROUND THE OPENINGS OF CURB INLET BOXES, UPSTREAM ENDS OF PIPE, IN OUTLET DITCHES AND AS DIRECTED BY THE ENGINEER.
3. INSTALL ROCK CHECK DAMS AS DIRECTED BY THE ENGINEER.
4. INSTALL STABILIZED B-STONE ACCESS ROADS INTO THE PROJECT SITE AS DIRECTED BY THE ENGINEER AND ROUTE TRAFFIC LEAVING DISTURBED AREAS OF THE SITE OVER THE STABILIZED ENTRANCE ROADS.
5. PREVENT THE TRACKING OF MUD AND DIRT ONTO ADJACENT STREETS. IF ANY TRACKING OCCURS THE MATERIAL SHALL BE REMOVED FROM THE ROADWAY IMMEDIATELY.
6. KEEP HAUL ROADS WATERED TO PREVENT DUST FROM BLOWING DRIFTING ONTO NEARBY RESIDENCES.
7. MAINTAIN SILT FENCES, BALED HAY DIKES AND ROCK CHECK DAMS, RESTORING THE SEDIMENT CONTROL MEASURES AS REQUIRED AND REMOVING THE ACCUMULATION OF SEDIMENTS.

NOTES:

1. CITY OF CONWAY STANDARD DETAILS FOR ROADWAY AND DRAINAGE CONSTRUCTION ARE LOCATED ON THE CONWAY TRANSPORTATION DEPARTMENT WEB PAGE.
2. ALL CONSTRUCTION & MATERIALS SHALL COMPLY WITH THE ARKANSAS HIGHWAY & TRANSPORTATION DEPARTMENT STANDARD SPECIFICATIONS FOR HIGHWAY CONSTRUCTION, 2014 EDITION. UNLESS OTHERWISE NOTED.

QUALITY CONTROL REQUIREMENTS:

THE CITY WILL SECURE THE SERVICES OF AN INDEPENDENT TESTING CONSULTANT AND PROVIDE TEST AND CERTIFICATIONS IN ACCORDANCE WITH THE FOLLOWING:

STREET SUBGRADE:

1. REQUIRED MINIMUM DENSITY 95% MODIFIED PROCTOR DENSITY. FIELD DENSITY TEST SHALL BE PERFORMED ON EACH LIFT OF FILL PLACED IN THE STREET SUBGRADE AND ON UTILITY AND STORM DRAINAGE PIPE TRENCHES.
2. STREET SUBGRADE DENSITY TESTS ARE REQUIRED FOR EVERY 800 FEET OF STREET SUBGRADE FOR EACH LIFT (8" MAXIMUM) OF EMBANKMENT OR FILL MATERIAL PLACED.
3. THE LOCATION OF THE TESTING WILL BE RANDOMLY IDENTIFIED IN THE FIELD BY THE CITY ENGINEER OR HIS DESIGNATED REPRESENTATIVE. THE FIELD DENSITY TEST SHALL BE PERFORMED IN THE PRESENCE OF THE CITY'S DESIGNATED REPRESENTATIVE.
4. IF A SUBGRADE DENSITY TEST IS LESS THAN THE MINIMUM REQUIRED A TEST IS REQUIRED ON THE RECOMPACTED AREA AS WELL AS AN ADDITIONAL TEST AT A LOCATION DESIGNATED BY THE CITY ENGINEER WITHIN 300 FEET OF THE SUBSTANDARD AREA.
5. THE CONTRACTOR SHALL PAY FOR THE RETESTING ALONG WITH ADDITIONAL TEST REQUIRED DUE TO THE FAILURE.

CRUSHED STONE BASE COURSE

1. FIELD DENSITY TEST (95% MINIMUM) ARE REQUIRED ON THE COMPACTED CRUSHED STONE BASE COURSE FOR EVERY 1,500 FEET OF BASE COURSE (TEST LOCATION DETERMINED BY CITY).
2. PLANT CERTIFICATION AND TEST RESULTS SHALL BE SUBMITTED VERIFYING THE MATERIAL CONFORMS TO THE GRADATION AND AHTD SPECIFICATION FOR THE MATERIAL SPECIFIED. IN ADDITION, THE SUPPLIER OF CRUSHED STONE BASE COURSE SHALL PROVIDE A CURRENT CBR TEST CONFIRMING A MINIMUM CBR OF 75. THE CITY MAY ELECT TO OBTAIN FIELD SAMPLES TO VERIFY THE CBR AND GRADATION TEST.
3. MATERIAL NOT MEETING THE SPECIFICATION SHALL BE REMOVED AND REPLACED WITH SUITABLE MATERIAL.
4. THE THICKNESS OF THE MATERIAL SHALL BE FIELD VERIFIED FOR EVERY 1,500 FEET OF STREET CONSTRUCTED.
5. THE COMPACTED INPLACE GRADATION OF THE MATERIAL SHALL CONFORM TO THE GRADATION AS SPECIFIED FOR CLASS 7 AGGREGATE BASE COURSE IN THE AHTD STANDARD SPECIFICATION FOR HIGHWAY CONSTRUCTIONS.

FOR NOTIFICATION OF NEEDED INSPECTION CONTACT:

CITY OF CONWAY
TRANSPORTATION DEPARTMENT
100 EAST ROBINS
CONWAY, ARKANSAS 72032
PHONE 501-450-6165 FAX 501-513-3566

COORDINATION OF THE WORK

THE CONTRACTOR SHALL PROVIDE COMPETENT AND EXPERIENCED FIELD PERSONNEL TO COORDINATE THE WORK AND VERIFY THAT THE CONTRACTOR IS CONFORMING TO THE PLANS AND SPECIFICATIONS.

THE CONTRACTOR SHALL COORDINATE WITH CONWAY CORP AND ANY OTHER UTILITY COMPANIES WITH EQUIPMENT LOCATED ON SITE TO ENSURE THAT ALL UTILITIES THAT COULD POTENTIALLY INTERFERE WITH WORK HAVE BEEN RELOCATED OR ARE PROPERLY INCORPORATED INTO THE PROJECT.

THE CITY IS NOT RESPONSIBLE FOR COORDINATION OF THE PROJECT WORK.

SEQUENCE OF CONSTRUCTION:

ALL PHASES:

1. COORDINATE WITH CONWAY CORPORATION TO ENSURE THAT ALL AFFECTED UTILITIES ARE RELOCATED BEFORE BEGINNING ANY MILLING OR EXCAVATION ACTIVITIES.
2. EACH PHASE WILL HAVE ITS OWN NOTICE TO PROCEED. NO WORK TO COMMENCE ON A PARTICULAR PHASE UNTIL THE CORRESPONDING NOTICE TO PROCEED IS ISSUED.

PHASE I:

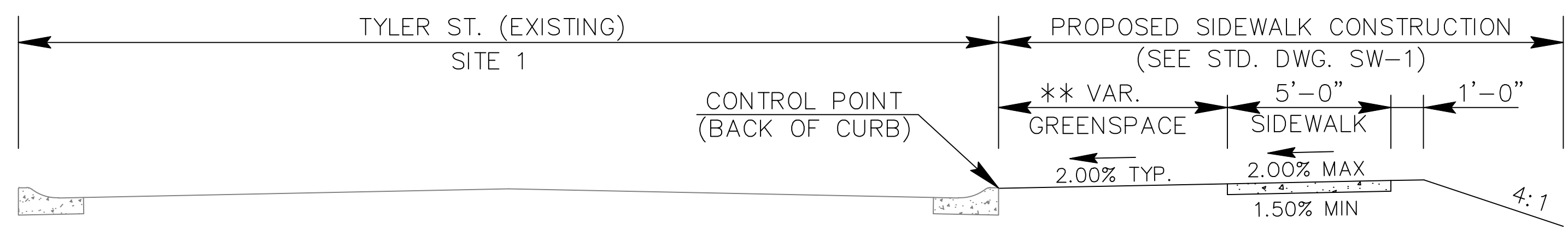
1. BEGIN MILLING EXISTING ACHM SURFACE COURSE WITHIN PHASE I LIMITS (SENA DR. TO TYLER STREET R.C. BOX CULVERT IN FRONT OF GATLIN PARK)
2. BEGIN CEMENT TREATED RECONSTRUCTED BASE (CTRB) PROCESS WITHIN THE MARKED PLAN LIMITS AS OUTLINED IN THE CTRB AND MAINTENANCE OF TRAFFIC SPECIAL PROVISIONS.

PHASE II:

1. ONCE PHASE II NOTICE TO PROCEED IS ISSUED, INSTALL SILT FENCE BEHIND ALL SIDEWALK CONSTRUCTION LIMITS, LEAVING GAPS FOR DRIVEWAYS. DO NOT BLOCK PIPE CULVERTS OR BOX CULVERTS. INSTALL SILT FENCE ALONG FILL SLOPE DIRECTLY ABOVE DAYLIGHTING PIPE/BOX CULVERTS (SEE SPECIAL DETAIL AND STD. DWG. EC-1).
5. CONSTRUCT JUNCTION BOXES WITH BACK OPENINGS AT STATIONS: 25+31 RT, 26+09 RT, 26+83 RT, 27+69 RT, 28+38 RT, 42+09 LT, AND 44+88 LT.
6. EXTEND EXISTING JUNCTION BOX BACK OPENING AT STA. 47+79 RT.
7. CONSTRUCT SIDEWALKS FROM GATLIN PARK TO DONAGHEY AVENUE AND MEADOWBROOK DRIVE TO WASHINGTON AVENUE. (TO BE COMPLETED BEFORE AREA BETWEEN GATLIN PARK AND WASHINGTON AVE CAN BE INLAYED).
8. UPON COMPLETION OF SIDEWALKS, MILL AND INLAY TYLER STREET FROM PHASE I JOINT TO WASHINGTON AVE.

REVISIONS

NO.	DESCRIPTION	DATE



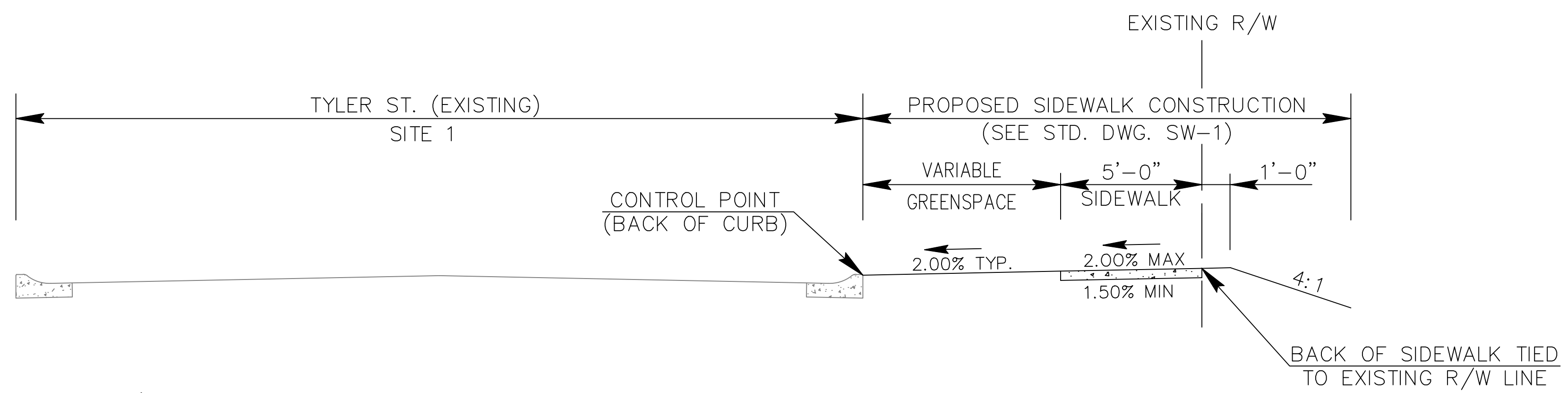
5' SIDEWALK SECTION WITH VAR GREENSPACE

- STA 10+06.00 RT (7'-0") TO STA. 16+77.00 RT (7'-0")
- STA 17+21.00 RT (7'-0") TO STA. 20+25.00 RT (7'-0")
- STA 20+25.00 RT (7'-0") TO STA. 20+45.00 RT (6'-0")
- STA 20+45.00 RT (6'-0") TO STA. 20+50.00 RT (6'-0")
- STA 25+06.00 RT (6'-0") TO STA. 25+26.00 RT (1'-0")

**GREENSPACE WIDTH IN PARENTHESES AFTER STATIONS

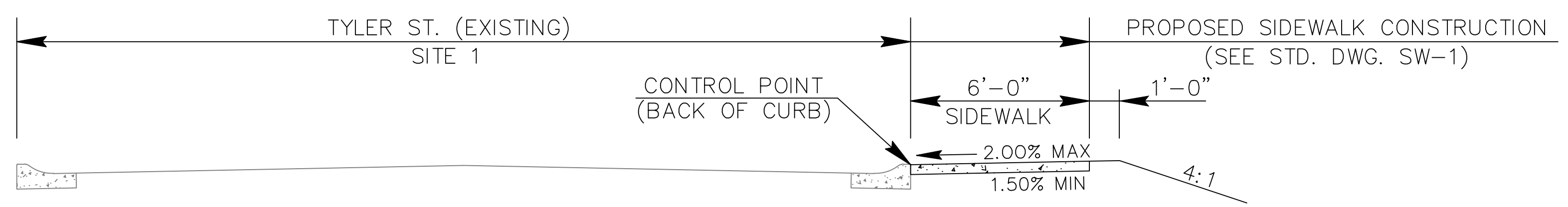
NOTES FOR ALL TYPICALS:

1. SIDEWALK/GREEN SPACE SLOPE MAY BE DECREASED OR REVERSED TO RUN AWAY FROM STREET TO AVOID THE NEED TO REPLACE DRIVEWAYS OR AS A MEANS TO MAINTAIN POSITIVE DRAINAGE AS DIRECTED BY THE ENGINEER.
2. GREENSPACE SLOPE MAY BE GREATER THAN 2% WITH APPROVAL OF THE ENGINEER.



5' SIDEWALK SECTION WITH VAR. GREENSPACE
(BACK OF SIDEWALK FOLLOWS R/W LINE)

STA 21+00.00 RT TO STA. 25+06.00 RT



6' SIDEWALK SECTION (BACK OF CURB)

STA 25+26.00 RT TO STA. 33+95.00 RT

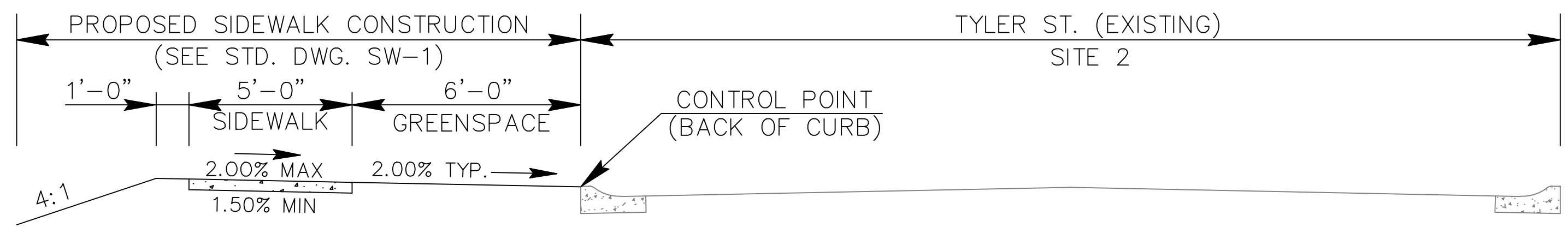
**TYLER STREET IMPROVEMENTS
SENA DR TO WASHINGTON AVE
CONWAY, ARKANSAS**

JOB NUMBER: 18-103
DRAWN BY: MHW1
CHECKED BY: BEV3
DATE: 8/14/2018
SCALE: 1"=20'

**SIDEWALK ADDITION
TYPICAL
SECTIONS**

REVISIONS

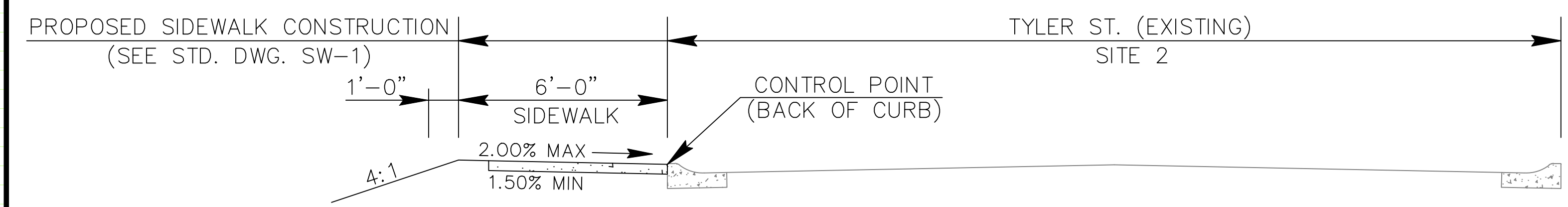
NO.	DESCRIPTION	DATE



5' SIDEWALK SECTION WITH 6'-0" GREENSPACE
 STA 40+09.00 LT TO STA. 49+20.00 LT

NOTES FOR ALL TYPICALS:

1. SIDEWALK/GREEN SPACE SLOPE MAY BE DECREASED OR REVERSED TO RUN AWAY FROM STREET TO AVOID THE NEED TO REPLACE DRIVEWAYS OR AS A MEANS TO MAINTAIN POSITIVE DRAINAGE AS DIRECTED BY THE ENGINEER.
2. GREENSPACE SLOPE MAY BE GREATER THAN 2% WITH APPROVAL OF THE ENGINEER.



6' SIDEWALK SECTION (BACK OF CURB)
 STA 49+20.00 LT TO STA. 49+56.00 LT
 STA 50+16.00 LT TO STA. 51+86.00 LT

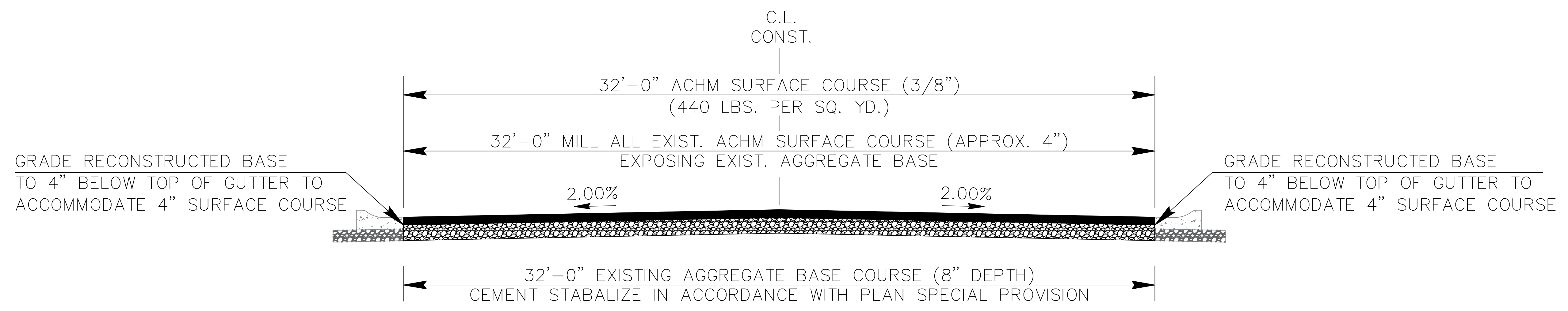
**TYLER STREET IMPROVEMENTS
 SENA DR TO WASHINGTON AVE
 CONWAY, ARKANSAS**

JOB NUMBER: 18-103
 DRAWN BY: MHW1
 CHECKED BY: BEV3
 DATE: 8/14/2018
 SCALE: 1"=20'

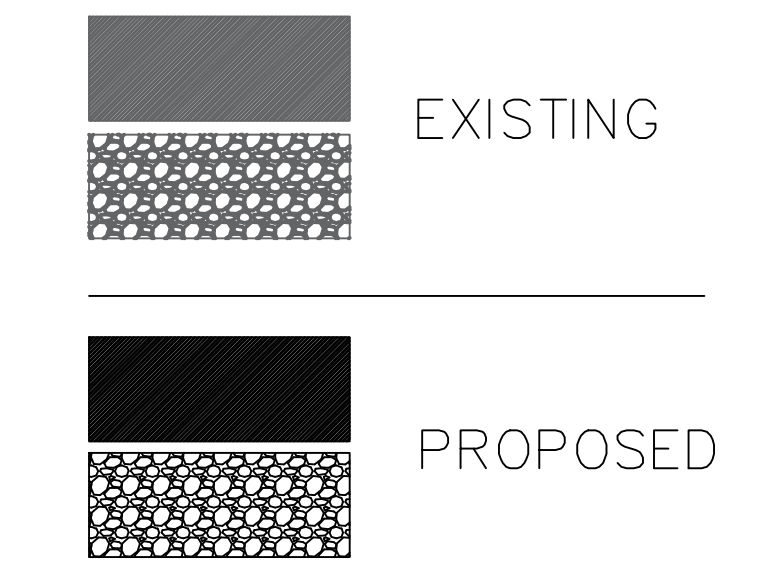
**SIDEWALK ADDITION
 TYPICAL
 SECTIONS**

REVISIONS

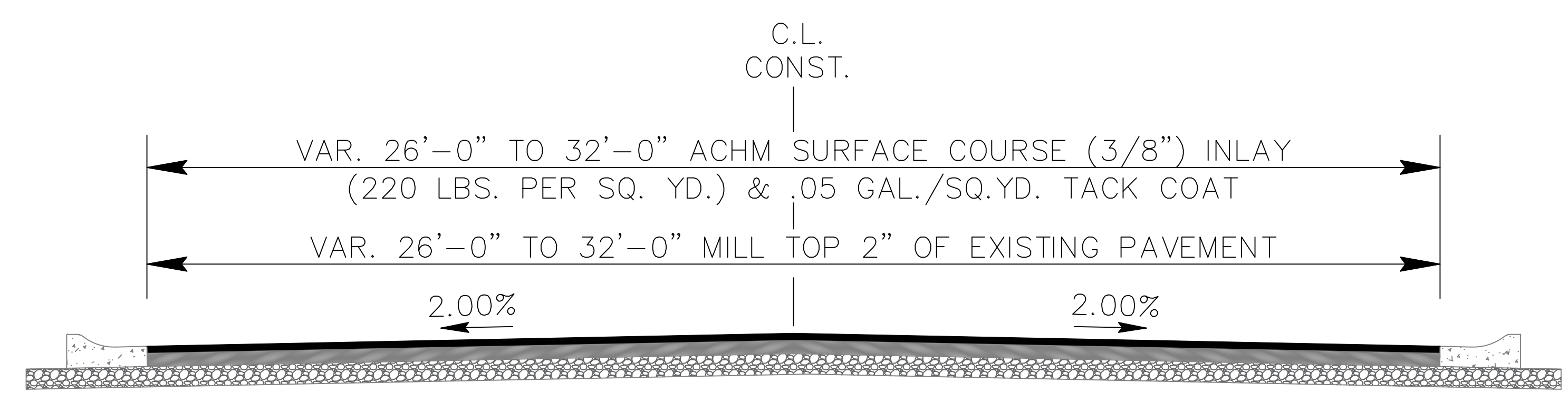
NO.	DESCRIPTION	DATE



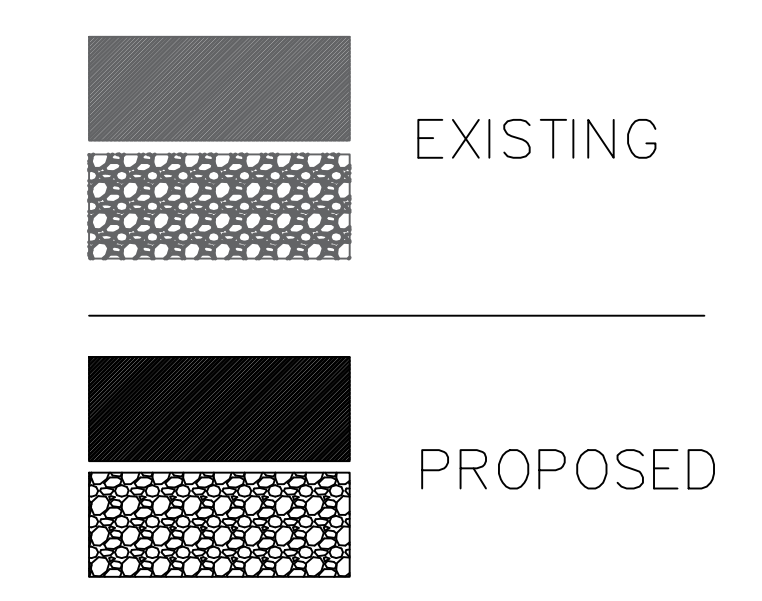
CEMENT TREATED RECONSTRUCTED BASE SECTION
 300' EAST OF BYRON DR. TO 25' WEST OF MONTANA DR.



- NOTES:
1. DETAILS MAY BE MODIFIED TO MEET LOCAL CONDITIONS AS DIRECTED BY THE ENGINEER.
 2. FINISHED ASPHALT SURFACE SHALL BE NO GREATER THAN 1/2" ABOVE THE EDGE OF GUTTER AND IN NO CASE WILL IT BE LOWER.



2" MILL AND INLAY SECTIONS
 AREAS WITHOUT CTRB REQUIREMENTS



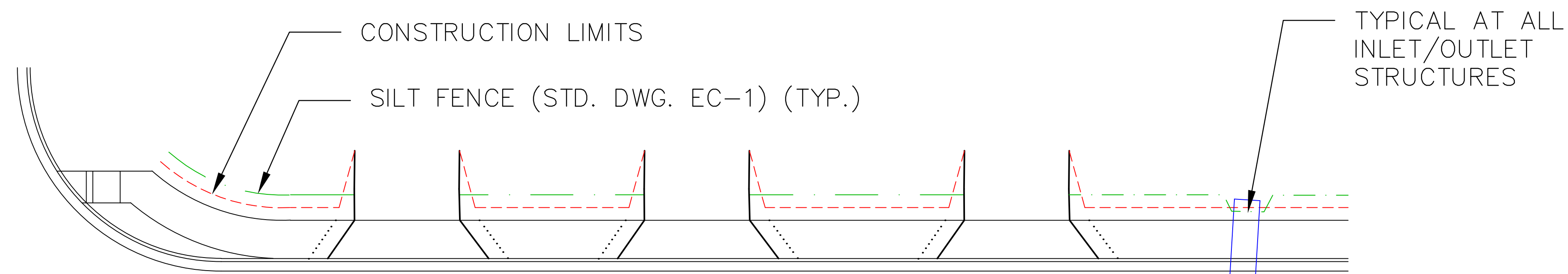
TYLER STREET IMPROVEMENTS
SENA DR TO WASHINGTON AVE
CONWAY, ARKANSAS

JOB NUMBER: 18-103
 DRAWN BY: MHW1
 CHECKED BY: BEV3
 DATE: 8/14/2018
 SCALE: 1"=20'

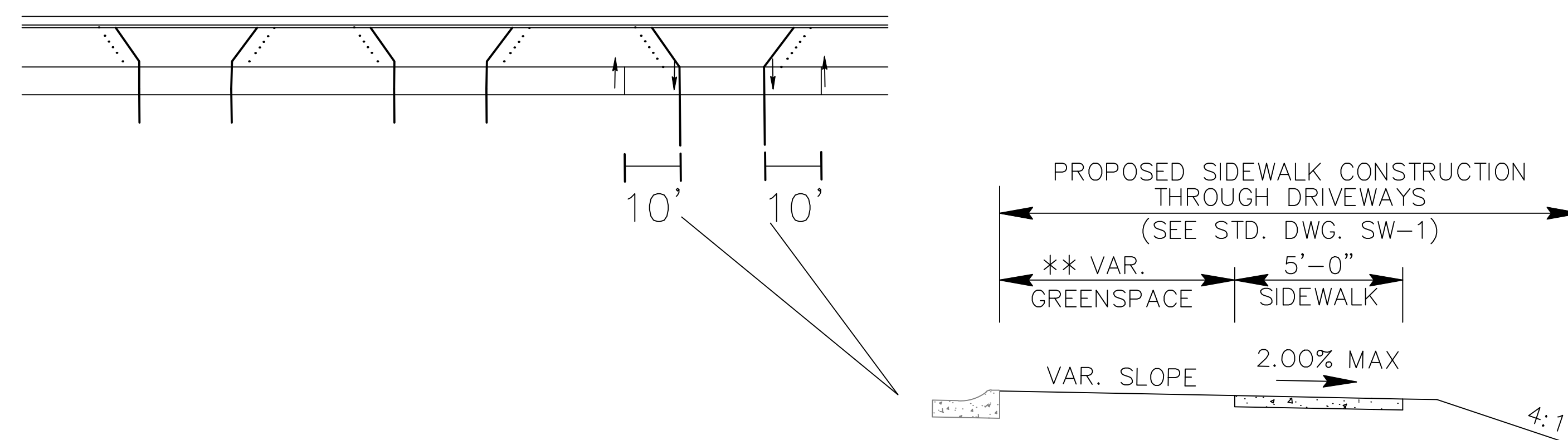
MILL & INLAY
TYPICAL
SECTIONS

REVISIONS

NO.	DESCRIPTION	DATE



EROSION CONTROL DETAIL
FOR ALL AREAS WITH FILL SLOPES
(FLIP FOR RIGHT SIDE OF TYLER STREET)



NOTE: 10' (MIN.) LINEAR TAPER FROM 2% UP TO 2% DOWN

SIDEWALK SLOPE TRANSITION LENGTHS

TO BE USED IN AREAS WHERE TRANSITIONING FROM TYPICAL SIDEWALK SLOPE TO MODIFIED SLOPE WHEN APPROACHING AN EXISTING DRIVEWAY OR AREA THAT REQUIRES A SLOPE CHANGE IN ORDER TO MAINTAIN POSITIVE DRAINAGE (WITH THE APPROVAL OF THE ENGINEER)

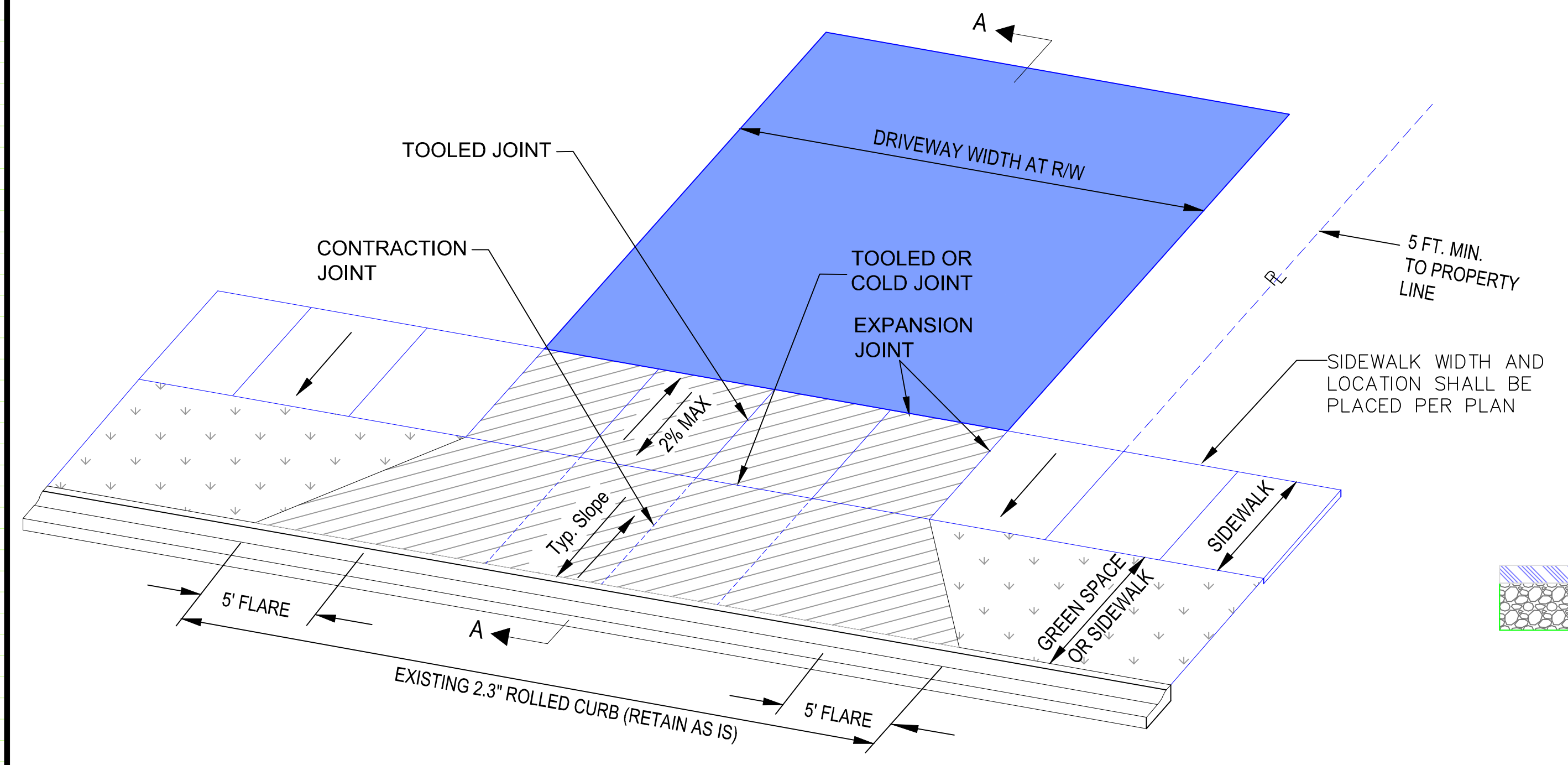
**TYLER STREET IMPROVEMENTS
SENA DR TO WASHINGTON AVE
CONWAY, ARKANSAS**

JOB NUMBER: 18-103
DRAWN BY: MHW1
CHECKED BY: BEV3
DATE: 8/14/2018
SCALE: 1"=20'

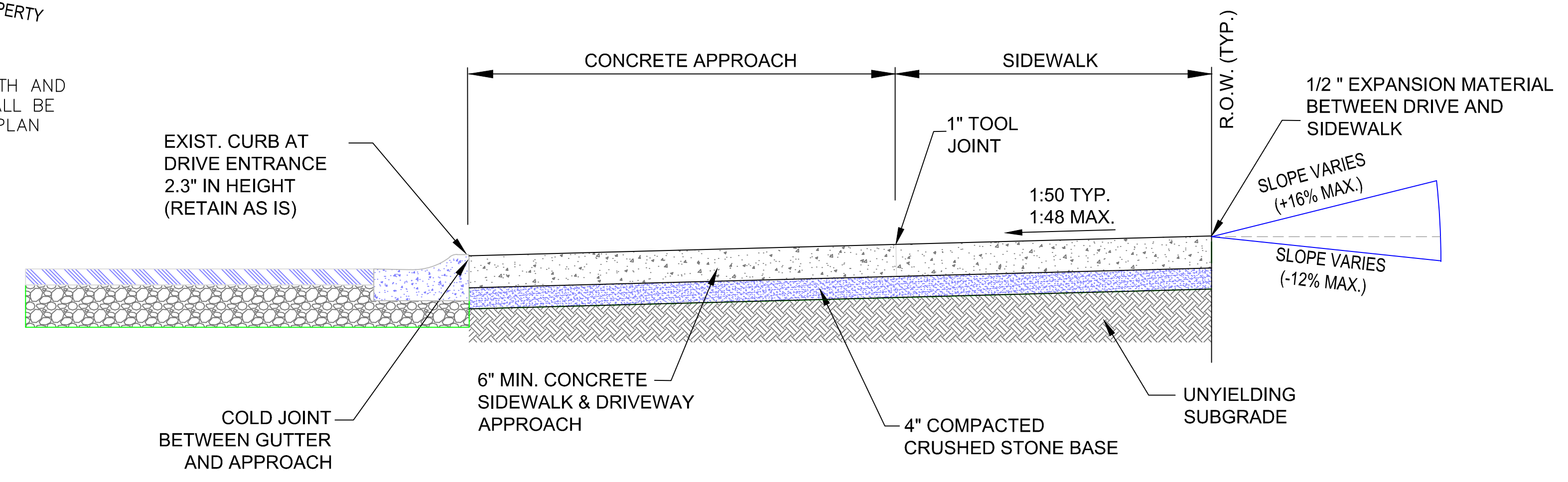
SPECIAL DETAILS

REVISIONS

NO.	DESCRIPTION	DATE



PLAN VIEW
N.T.S.



SECTION A-A
N.T.S.

NOTES:

1. FULL DEPTH EXPANSION JOINTS (FOUR INCHES) SHALL BE PROVIDED AT THE EDGE OF THE SIDEWALK OPPOSITE THE STREET.
2. CONCRETE TO BE SAW-CUT OR PLACE A TOOL JOINT AT THE CENTER OF DRIVE AND SEALED. IF POSSIBLE CONTRACTOR SHALL TRY TO ALIGN THE JOINT AT THE CENTER OF THE DRIVE WITH THE A JOINT IN THE ADJACENT SIDEWALK.
3. ALL SIDEWALK RELATED CONSTRUCTION WITHIN RECONSTRUCTED DRIVEWAY WIDTH SHALL BE CONSIDERED SUBSIDIARY TO THE ITEM "PORTLAND CEMENT CONCRETE DRIVEWAY".
4. ALL WORK SHALL COMPLY WITH SECTION 505 OF THE ARKANSAS HIGHWAY AND TRANSPORTATION STANDARD SPECIFICATIONS FOR HIGHWAY CONSTRUCTION, 2014 EDITION

RECONSTRUCTED DRIVEWAY DETAILS

TO BE USED WHERE EXISTING DRIVEWAY SLOPES EXCEED 2% MAX SLOPE AND THEREFORE NEED TO BE REBUILT.

(DRIVEWAYS TO BE REBUILT ARE DRAWN ON PLANS IN YELLOW AND ARE CALLED OUT BY STATION IN QUANTITY SHEETS.)

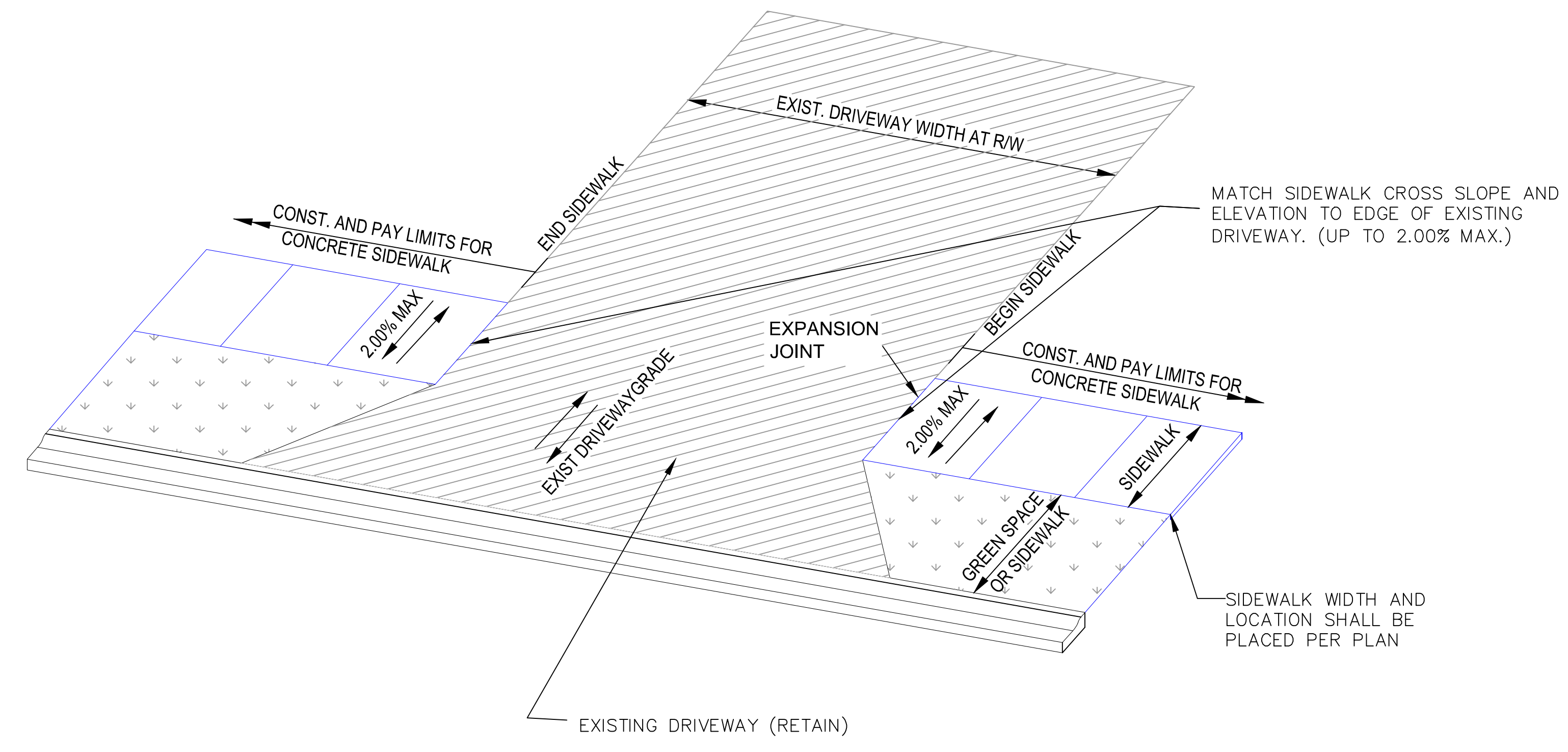
TYLER STREET IMPROVEMENTS
SENA DR TO WASHINGTON AVE
CONWAY, ARKANSAS

JOB NUMBER: 18-103
DRAWN BY: MHW1
CHECKED BY: BEV3
DATE: 8/14/2018
SCALE: 1"=20'

SPECIAL DETAILS

REVISIONS

NO.	DESCRIPTION	DATE



PLAN VIEW
 N.T.S.

- NOTES:
1. FOR ALL EXISTING DRIVEWAYS WITH GRADES GREATER THAN 2.00% AT INTERSECTION POINT WITH SIDEWALKS, REFER TO THE "RECONSTRUCTED DRIVEWAY DETAILS" SPECIAL DETAIL.
 2. EXISTING DRIVEWAYS WITH COMPLIANT GRADES MAY STILL REQUIRE REBUILDING IF IN-PLACE MATERIALS ARE UNSUITABLE AT INTERSECTION WITH PROPOSED SIDEWALKS.
 3. SIDEWALK PAY AND CONSTRUCTION LIMITS TO STOP AT THE EDGE OF DRIVEWAY. NO SIDEWALK SHALL BE CONSTRUCTED WITHIN EXISTING DRIVEWAY WIDTH NOR PAYMENT APPROVED FOR ANY SIDEWALK CONSTRUCTED WITHIN THE EXISTING DRIVEWAY WITHOUT THE CONSENT OF THE ENGINEER.
 4. REPAIRS TO ANY DAMAGE THAT OCCURS TO EXISTING DRIVEWAYS DURING THE CONSTRUCTION OF ADJACENT SIDEWALKS SHALL BE THE RESPONSIBILITY OF THE CONTRACTOR.
 5. ALL WORK SHALL COMPLY WITH SECTION 633 OF THE ARKANSAS HIGHWAY AND TRANSPORTATION STANDARD SPECIFICATIONS FOR HIGHWAY CONSTRUCTION, 2014 EDITION.

SIDEWALK DETAILS AT RETAINED EXIST. DRIVEWAYS
 TO BE USED WHERE EXISTING DRIVEWAY SLOPES DO NOT EXCEED 2% MAX SLOPE AND
 THEREFORE TO BE RETAINED

**TYLER STREET IMPROVEMENTS
 SENA DR TO WASHINGTON AVE
 CONWAY, ARKANSAS**

JOB NUMBER: 18-103
 DRAWN BY: MHW1
 CHECKED BY: BEV3
 DATE: 8/14/2018
 SCALE: 1"=20'

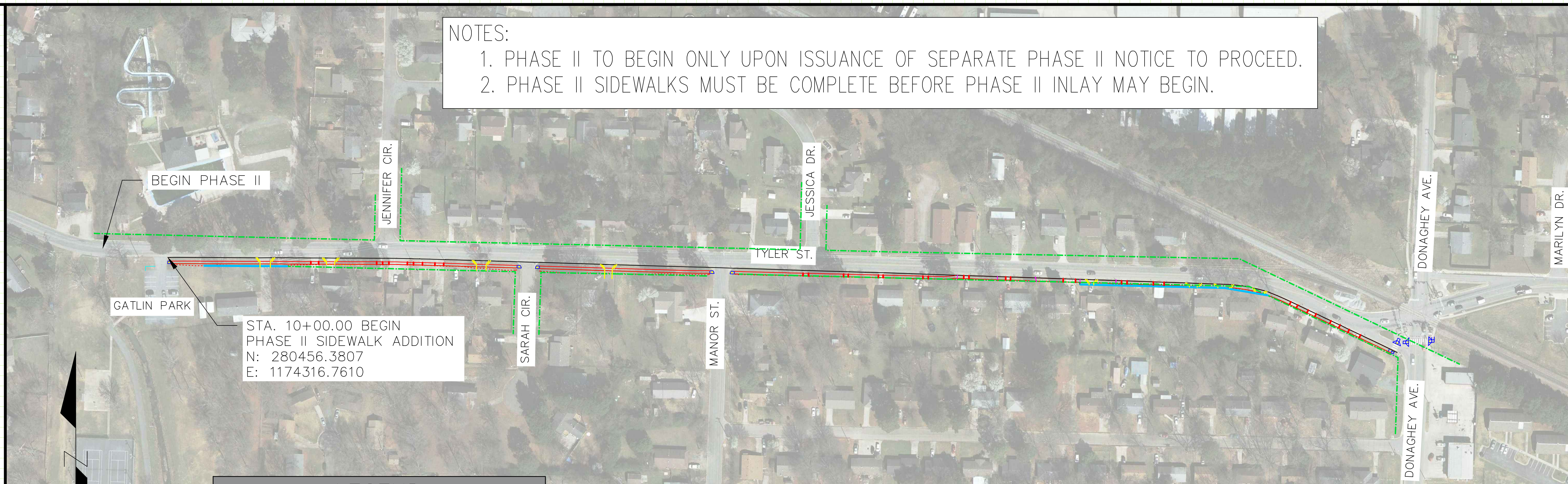
SPECIAL DETAILS

REVISIONS

NO.	DESCRIPTION	DATE

NOTES:

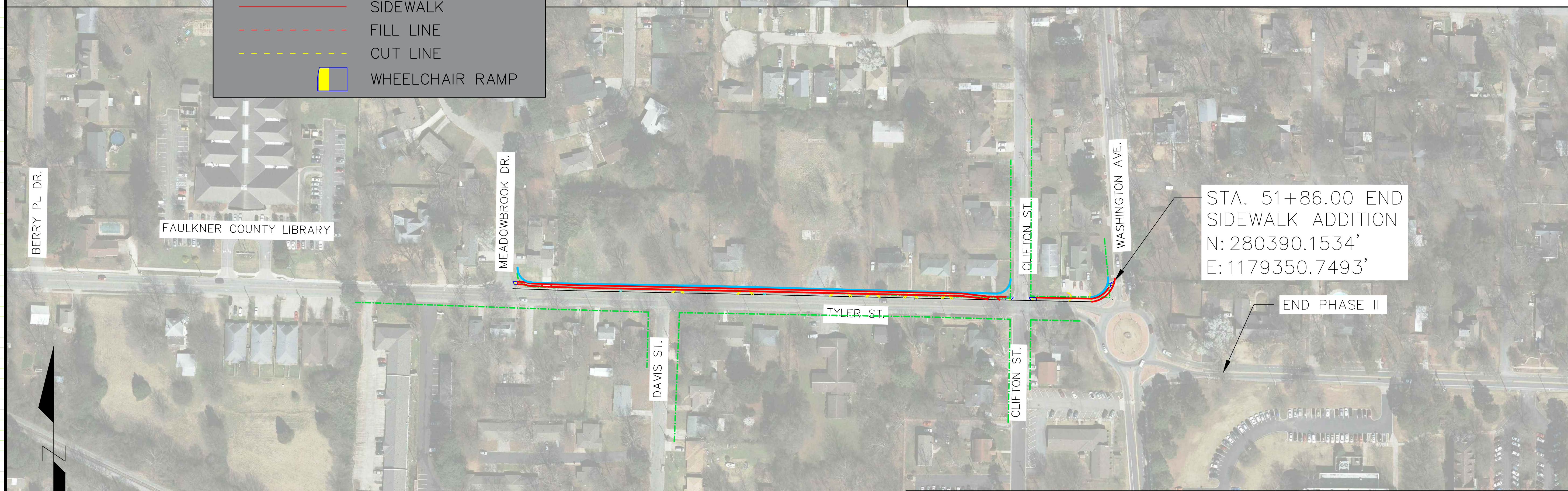
1. PHASE II TO BEGIN ONLY UPON ISSUANCE OF SEPARATE PHASE II NOTICE TO PROCEED.
2. PHASE II SIDEWALKS MUST BE COMPLETE BEFORE PHASE II INLAY MAY BEGIN.



**SIDEWALK ADDITION SITE 1:
GATLIN PARK DRIVEWAY TO DONAGHEY AVE**

LEGEND

- PROPOSED R/W
- - - EXISTING R/W
- SIDEWALK
- - - FILL LINE
- - - CUT LINE
- WHEELCHAIR RAMP



**SIDEWALK ADDITION SITE 2:
MEADOWBROOK DR TO WASHINGTON AVE**

**TYLER STREET IMPROVEMENTS
SENA DR TO WASHINGTON AVE
CONWAY, ARKANSAS**

JOB NUMBER: 18-103
DRAWN BY: MHW1
CHECKED BY: BEV3
DATE: 8/14/2018
SCALE: 1"=100'

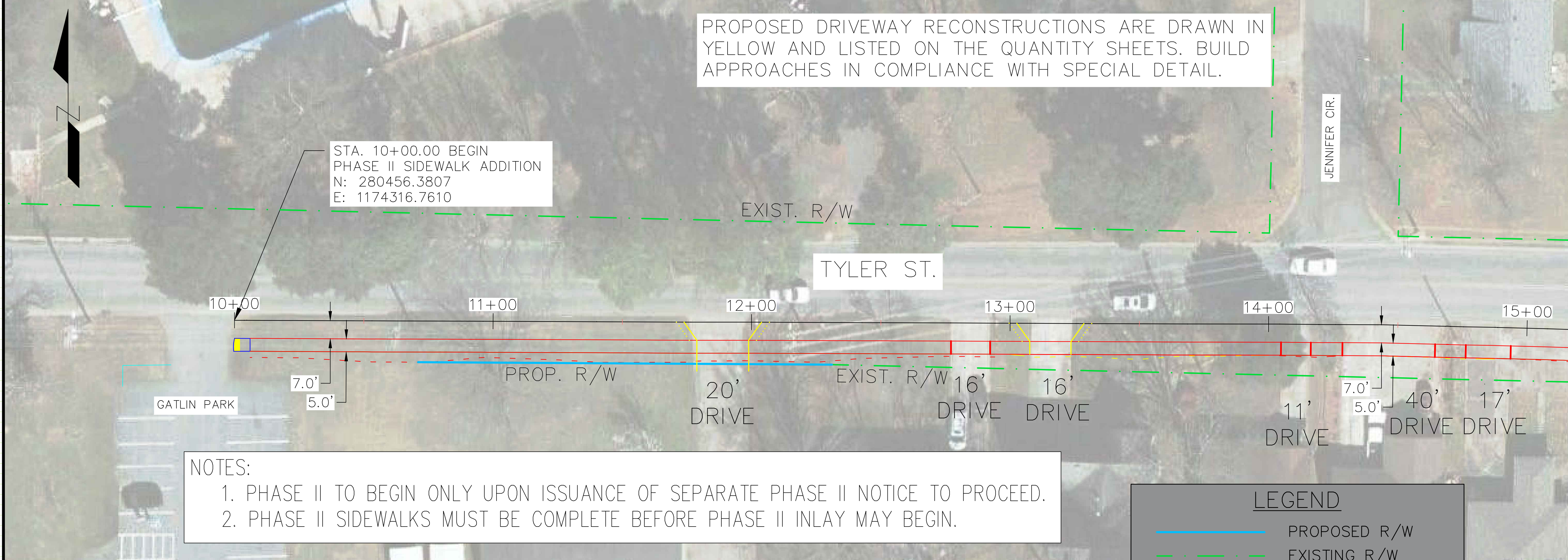
**SIDEWALK ADDITION
OVERALL
LAYOUT**

REVISIONS

NO.	DESCRIPTION	DATE

PROPOSED DRIVEWAY RECONSTRUCTIONS ARE DRAWN IN YELLOW AND LISTED ON THE QUANTITY SHEETS. BUILD APPROACHES IN COMPLIANCE WITH SPECIAL DETAIL.

STA. 10+00.00 BEGIN
PHASE II SIDEWALK ADDITION
N: 280456.3807
E: 1174316.7610

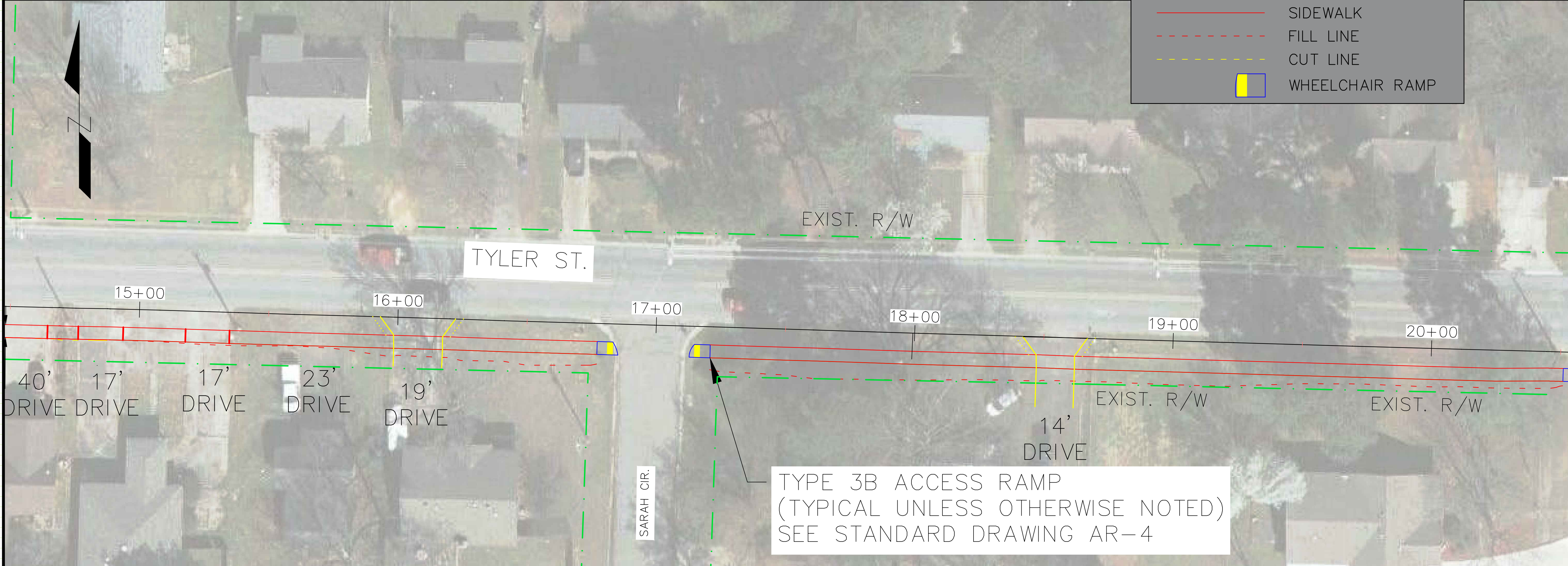


NOTES:
1. PHASE II TO BEGIN ONLY UPON ISSUANCE OF SEPARATE PHASE II NOTICE TO PROCEED.
2. PHASE II SIDEWALKS MUST BE COMPLETE BEFORE PHASE II INLAY MAY BEGIN.

LEGEND

- PROPOSED R/W
- - - EXISTING R/W
- SIDEWALK
- - - FILL LINE
- - - CUT LINE
- WHEELCHAIR RAMP

**TYLER STREET IMPROVEMENTS
SENA DR TO WASHINGTON AVE
CONWAY, ARKANSAS**

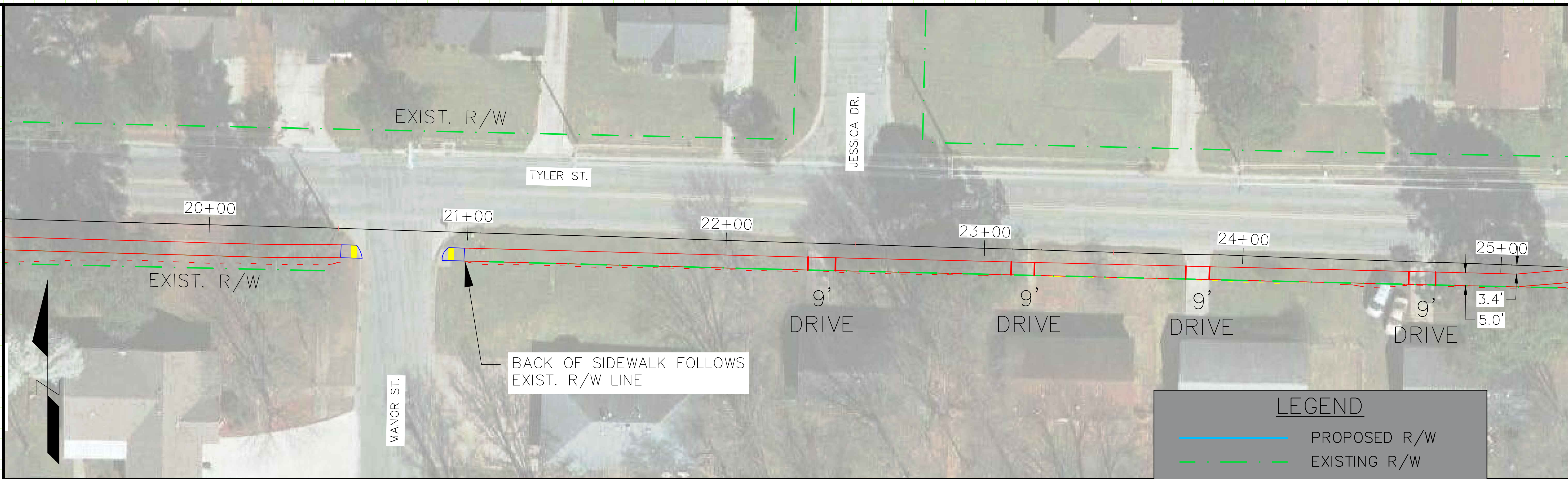


JOB NUMBER: 18-103
DRAWN BY: MHW1
CHECKED BY: BEV3
DATE: 8/14/2018
SCALE: 1"=20'

**SIDEWALK ADDITION
PLAN SHEET**
STA. 10+00-STA. 20+00

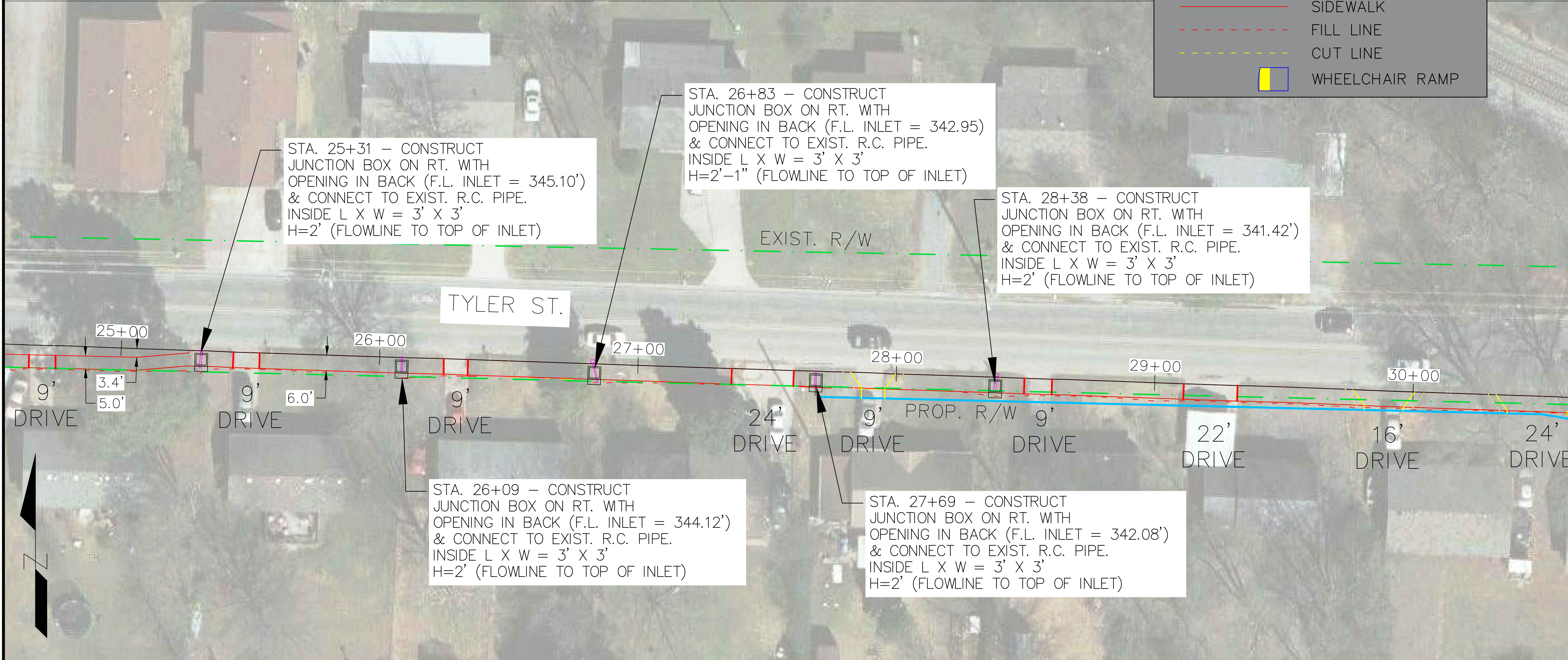
REVISIONS

NO.	DESCRIPTION	DATE



LEGEND

- PROPOSED R/W
- - - - EXISTING R/W
- SIDEWALK
- - - - FILL LINE
- - - - CUT LINE
- WHEELCHAIR RAMP



STA. 25+31 - CONSTRUCT JUNCTION BOX ON RT. WITH OPENING IN BACK (F.L. INLET = 345.10') & CONNECT TO EXIST. R.C. PIPE. INSIDE L X W = 3' X 3' H=2' (FLOWLINE TO TOP OF INLET)

STA. 26+83 - CONSTRUCT JUNCTION BOX ON RT. WITH OPENING IN BACK (F.L. INLET = 342.95) & CONNECT TO EXIST. R.C. PIPE. INSIDE L X W = 3' X 3' H=2'-1" (FLOWLINE TO TOP OF INLET)

STA. 28+38 - CONSTRUCT JUNCTION BOX ON RT. WITH OPENING IN BACK (F.L. INLET = 341.42') & CONNECT TO EXIST. R.C. PIPE. INSIDE L X W = 3' X 3' H=2' (FLOWLINE TO TOP OF INLET)

STA. 26+09 - CONSTRUCT JUNCTION BOX ON RT. WITH OPENING IN BACK (F.L. INLET = 344.12') & CONNECT TO EXIST. R.C. PIPE. INSIDE L X W = 3' X 3' H=2' (FLOWLINE TO TOP OF INLET)

STA. 27+69 - CONSTRUCT JUNCTION BOX ON RT. WITH OPENING IN BACK (F.L. INLET = 342.08') & CONNECT TO EXIST. R.C. PIPE. INSIDE L X W = 3' X 3' H=2' (FLOWLINE TO TOP OF INLET)

**TYLER STREET IMPROVEMENTS
SENA DR TO WASHINGTON AVE
CONWAY, ARKANSAS**

JOB NUMBER: 18-103
DRAWN BY: MHW1
CHECKED BY: BFV3
DATE: 8/14/2018
SCALE: 1"=20'

**SIDEWALK ADDITION
PLAN SHEET**
STA. 20+00-STA. 30+00

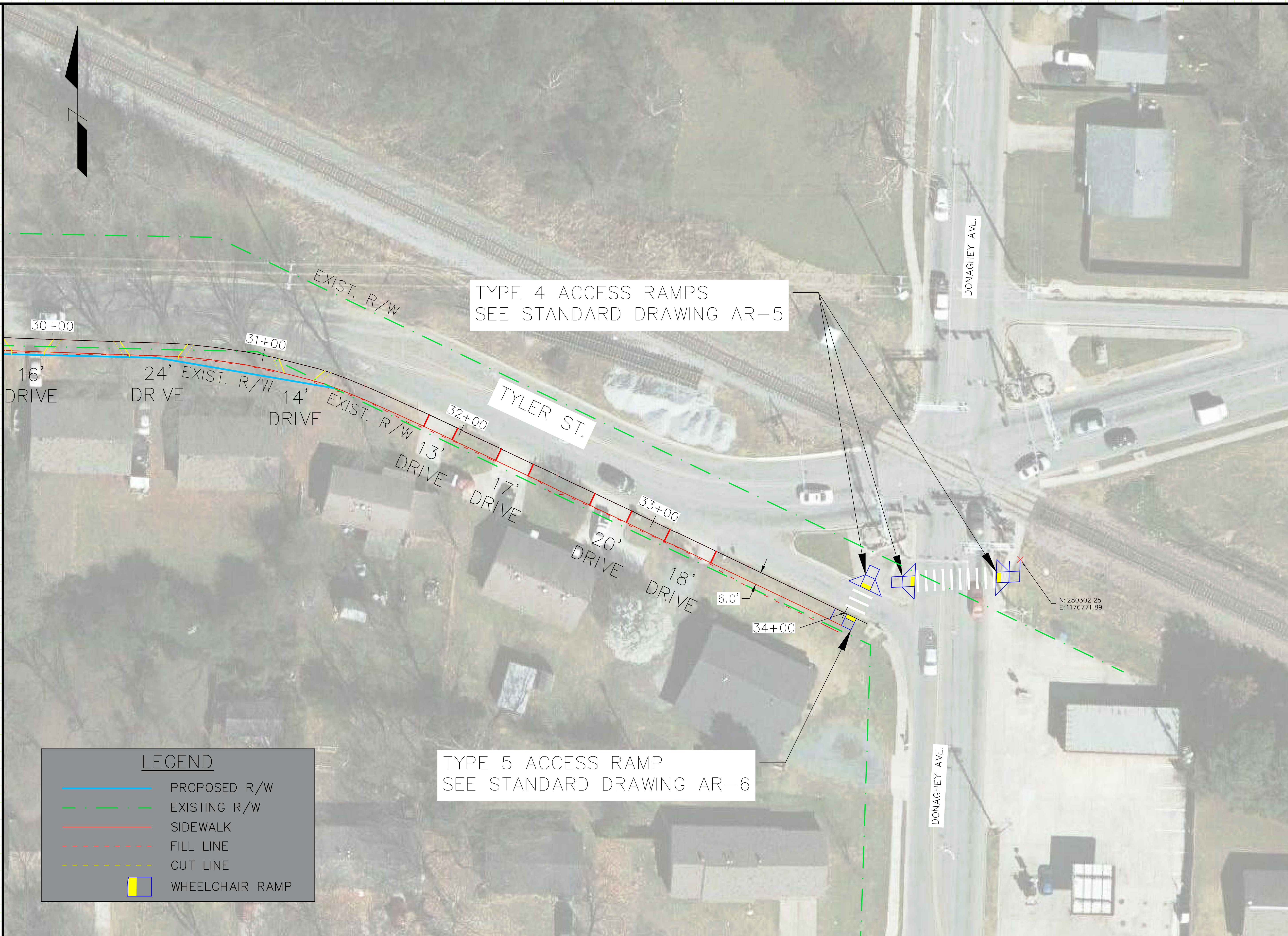
REVISIONS

NO.	DESCRIPTION	DATE

**TYLER STREET IMPROVEMENTS
 SENA DR TO WASHINGTON AVE
 CONWAY, ARKANSAS**

JOB NUMBER: 18-103
 DRAWN BY: MHW1
 CHECKED BY: BEV3
 DATE: 8/14/2018
 SCALE: 1"=20'

**SIDEWALK ADDITION
 PLAN SHEET**
 STA. 30+00-STA. 34+06

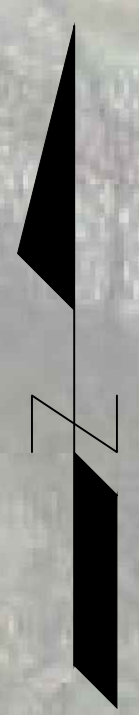


TYPE 4 ACCESS RAMPS
 SEE STANDARD DRAWING AR-5

TYPE 5 ACCESS RAMP
 SEE STANDARD DRAWING AR-6

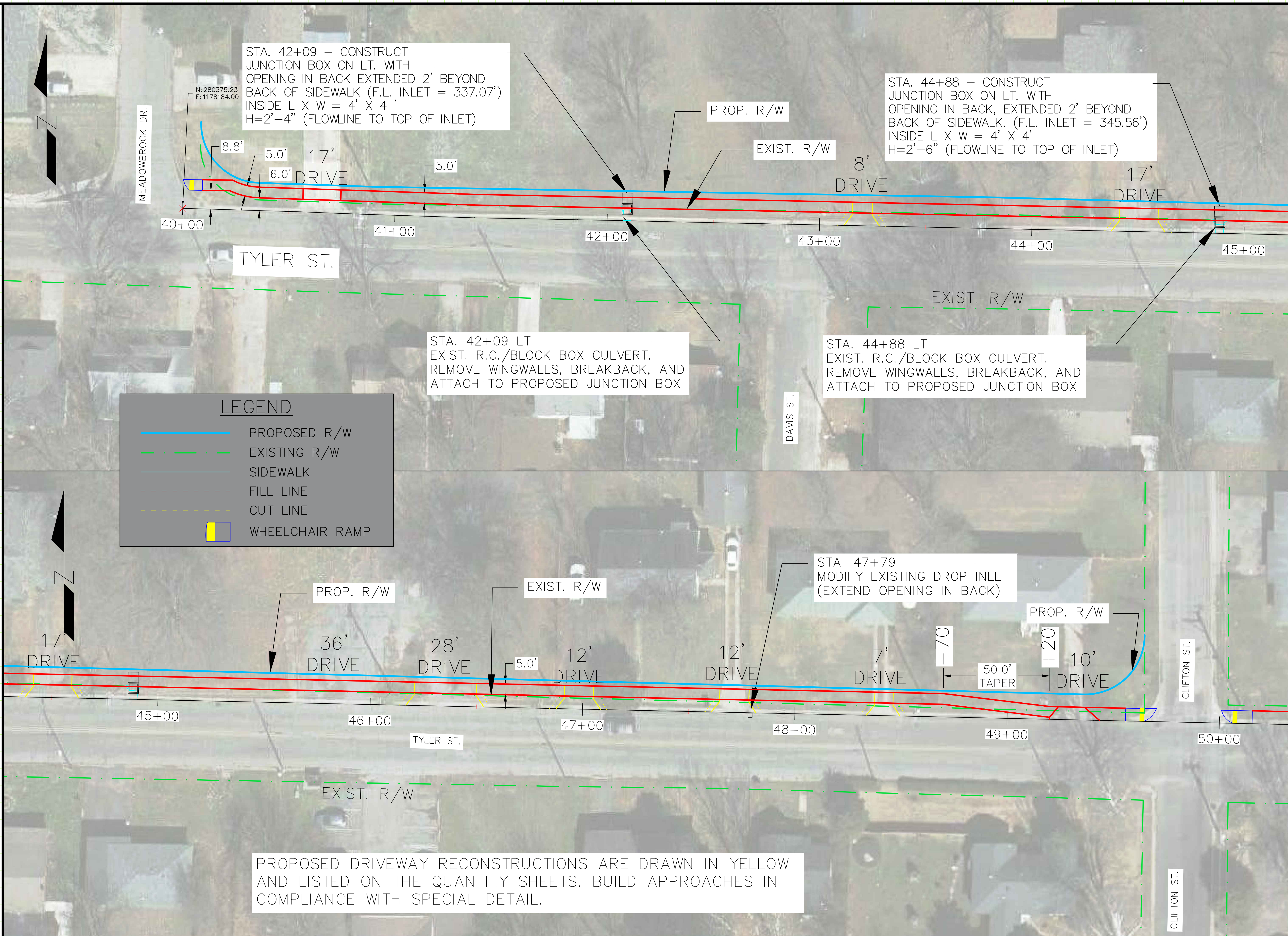
LEGEND

- PROPOSED R/W
- - - EXISTING R/W
- SIDEWALK
- - - FILL LINE
- - - CUT LINE
- WHEELCHAIR RAMP



REVISIONS

NO.	DESCRIPTION	DATE



LEGEND

- PROPOSED R/W
- - - EXISTING R/W
- SIDEWALK
- - - FILL LINE
- - - CUT LINE
- WHEELCHAIR RAMP

STA. 42+09 - CONSTRUCT JUNCTION BOX ON LT. WITH OPENING IN BACK EXTENDED 2' BEYOND BACK OF SIDEWALK (F.L. INLET = 337.07') INSIDE L X W = 4' X 4' H=2'-4" (FLOWLINE TO TOP OF INLET)

STA. 44+88 - CONSTRUCT JUNCTION BOX ON LT. WITH OPENING IN BACK, EXTENDED 2' BEYOND BACK OF SIDEWALK. (F.L. INLET = 345.56') INSIDE L X W = 4' X 4' H=2'-6" (FLOWLINE TO TOP OF INLET)

STA. 42+09 LT EXIST. R.C./BLOCK BOX CULVERT. REMOVE WINGWALLS, BREAKBACK, AND ATTACH TO PROPOSED JUNCTION BOX

STA. 44+88 LT EXIST. R.C./BLOCK BOX CULVERT. REMOVE WINGWALLS, BREAKBACK, AND ATTACH TO PROPOSED JUNCTION BOX

STA. 47+79 MODIFY EXISTING DROP INLET (EXTEND OPENING IN BACK)

PROPOSED DRIVEWAY RECONSTRUCTIONS ARE DRAWN IN YELLOW AND LISTED ON THE QUANTITY SHEETS. BUILD APPROACHES IN COMPLIANCE WITH SPECIAL DETAIL.

**TYLER STREET IMPROVEMENTS
 SENA DR TO WASHINGTON AVE
 CONWAY, ARKANSAS**

JOB NUMBER: 18-103
 DRAWN BY: MHW1
 CHECKED BY: BEV3
 DATE: 8/14/2018
 SCALE: 1"=20'

**SIDEWALK ADDITION
 PLAN SHEET**
 STA. 40+00-STA. 50+00

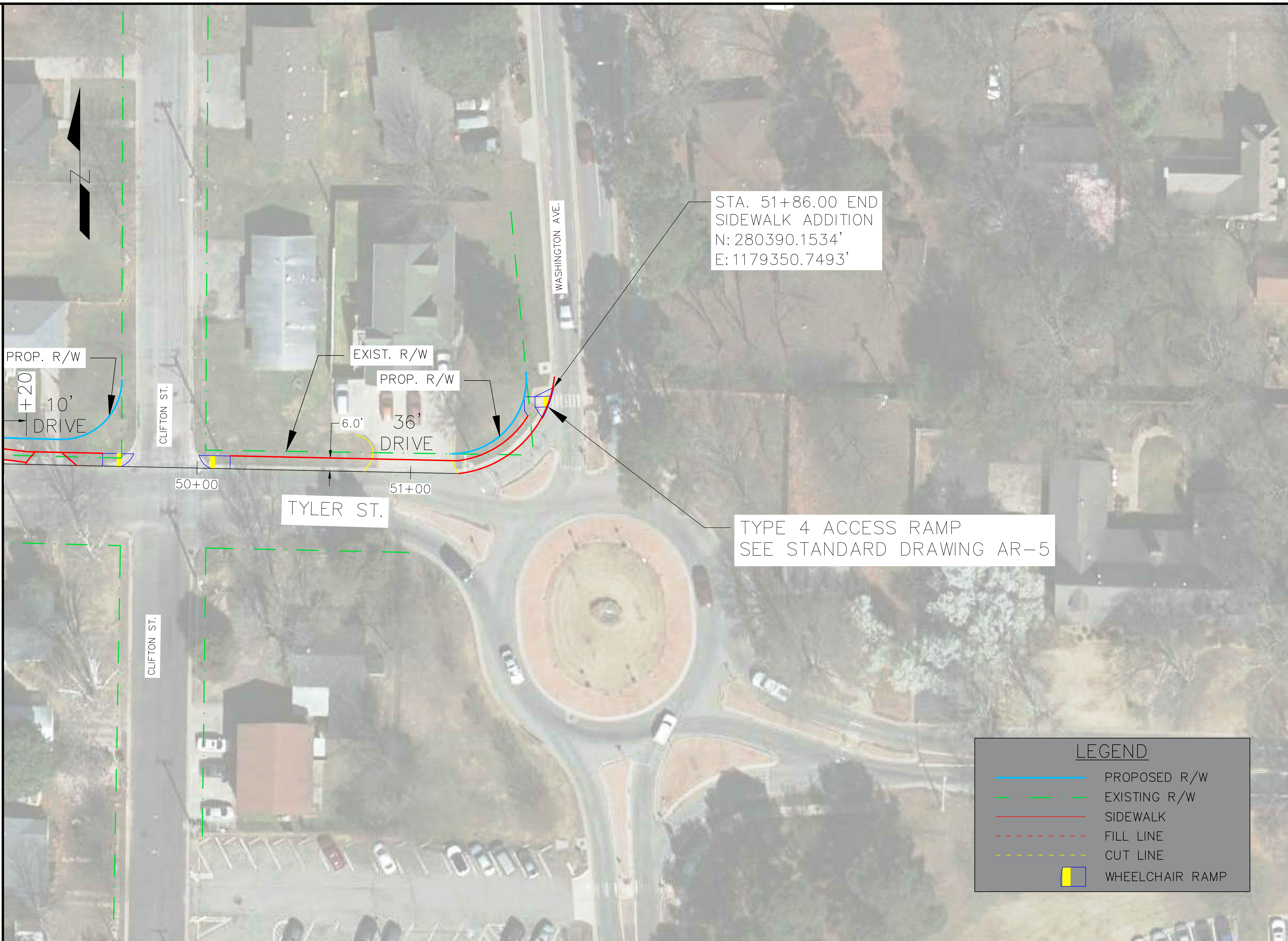
REVISIONS

NO.	DESCRIPTION	DATE

**TYLER STREET IMPROVEMENTS
 SENA DR TO WASHINGTON AVE
 CONWAY, ARKANSAS**

JOB NUMBER: 18-103
 DRAWN BY: MHW1
 CHECKED BY: BEV3
 DATE: 8/14/2018
 SCALE: 1"=20'

**SIDEWALK ADDITION
 PLAN SHEET**
 STA. 50+00-STA. 51+82



STA. 51+86.00 END
 SIDEWALK ADDITION
 N: 280390.1534'
 E: 1179350.7493'

TYPE 4 ACCESS RAMP
 SEE STANDARD DRAWING AR-5

LEGEND

- PROPOSED R/W
- - - - - EXISTING R/W
- SIDEWALK
- - - - - FILL LINE
- - - - - CUT LINE
- WHEELCHAIR RAMP

PROP. R/W
 +20
 10'
 DRIVE

EXIST. R/W
 PROP. R/W
 6.0'
 36'
 DRIVE

CLIFTON ST.

WASHINGTON AVE.

TYLER ST.

CLIFTON ST.

50+00

51+00

REVISIONS

NO.	DESCRIPTION	DATE

**TYLER STREET IMPROVEMENTS
SENA RD TO WASHINGTON AVE
CONWAY, ARKANSAS**

JOB NUMBER: 19-XXX
DRAWN BY: MHW1
CHECKED BY: BFV3
DATE: 1/28/2019
SCALE: 1"=50'

**MILL, INLAY, AND STRIPING
PLAN SHEET**



NOTE: ALL MARKINGS TO BE THERMOPLASTIC UNLESS OTHERWISE NOTED

NOTE: INDIVIDUAL LANE WIDTHS WILL VARY AS TOTAL PAVEMENT WIDTH AND LANE CONFIGURATION (UNLESS OTHERWISE NOTED ON THESE PLANS) VARY THROUGHOUT THE PROJECT LIMITS. CONSULT CONWAY STREET DETAILS PM-1 THROUGH PM-5 TO DETERMINE PROPER LANE WIDTHS BASED ON TOTAL PAVEMENT WIDTH AND CONFIGURATION (UNLESS OTHERWISE NOTED ON THESE PLANS).

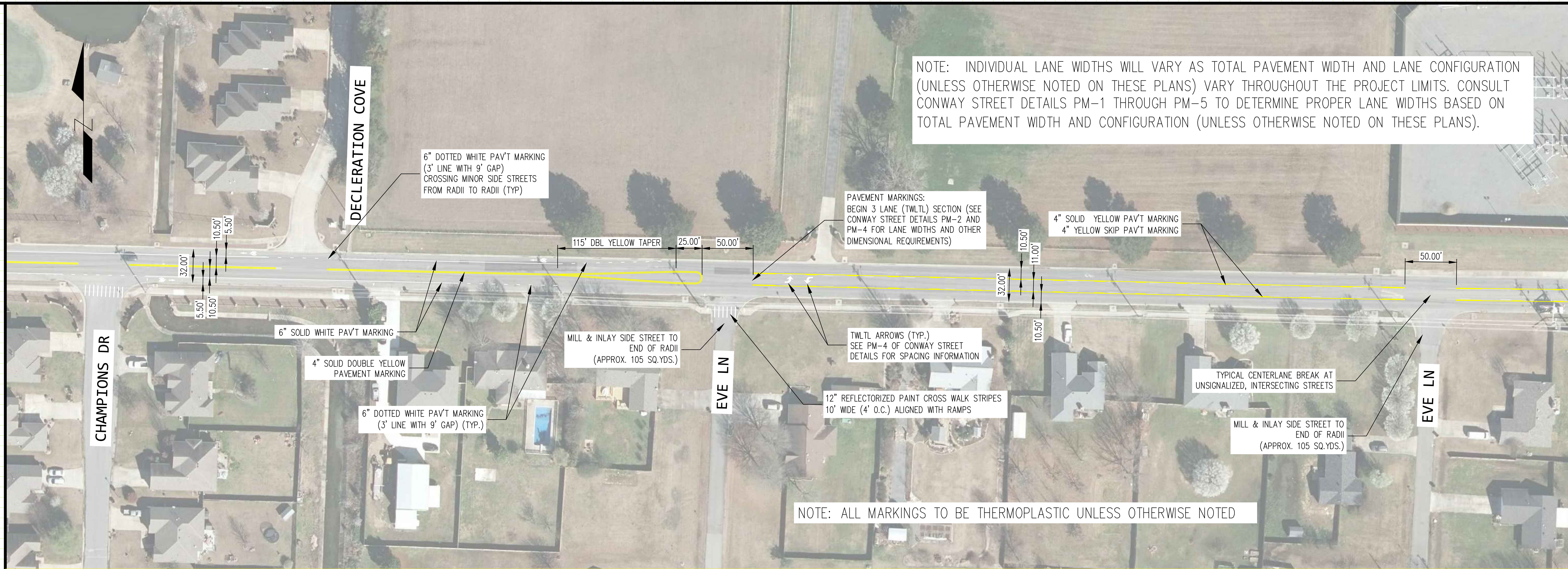
NOTE: INDIVIDUAL LANE WIDTHS WILL VARY AS TOTAL PAVEMENT WIDTH AND LANE CONFIGURATION (UNLESS OTHERWISE NOTED ON THESE PLANS) VARY THROUGHOUT THE PROJECT LIMITS. CONSULT CONWAY STREET DETAILS PM-1 THROUGH PM-5 TO DETERMINE PROPER LANE WIDTHS BASED ON TOTAL PAVEMENT WIDTH AND CONFIGURATION (UNLESS OTHERWISE NOTED ON THESE PLANS).

APPROX. 300' EAST OF BYRON DRIVE (AT JOINT),
BEGIN CEMENT TREATED RECONSTRUCTED BASE SECTION
SEE CORRESPONDING SPECIAL PROVISION

REVISIONS

NO.	DESCRIPTION	DATE

NOTE: INDIVIDUAL LANE WIDTHS WILL VARY AS TOTAL PAVEMENT WIDTH AND LANE CONFIGURATION (UNLESS OTHERWISE NOTED ON THESE PLANS) VARY THROUGHOUT THE PROJECT LIMITS. CONSULT CONWAY STREET DETAILS PM-1 THROUGH PM-5 TO DETERMINE PROPER LANE WIDTHS BASED ON TOTAL PAVEMENT WIDTH AND CONFIGURATION (UNLESS OTHERWISE NOTED ON THESE PLANS).



NOTE: ALL MARKINGS TO BE THERMOPLASTIC UNLESS OTHERWISE NOTED

**TYLER STREET IMPROVEMENTS
 SENA RD TO WASHINGTON AVE
 CONWAY, ARKANSAS**

NOTE: INDIVIDUAL LANE WIDTHS WILL VARY AS TOTAL PAVEMENT WIDTH AND LANE CONFIGURATION (UNLESS OTHERWISE NOTED ON THESE PLANS) VARY THROUGHOUT THE PROJECT LIMITS. CONSULT CONWAY STREET DETAILS PM-1 THROUGH PM-5 TO DETERMINE PROPER LANE WIDTHS BASED ON TOTAL PAVEMENT WIDTH AND CONFIGURATION (UNLESS OTHERWISE NOTED ON THESE PLANS).



JOB NUMBER: 19-XXX
 DRAWN BY: MHW1
 CHECKED BY: BEV3
 DATE: 2-1-2019
 SCALE: 1"=20'

**MILL, INLAY, AND STRIPING
 PLAN SHEET**

REVISIONS

NO.	DESCRIPTION	DATE



**TYLER STREET IMPROVEMENTS
SENA RD TO WASHINGTON AVE
CONWAY, ARKANSAS**

JOB NUMBER: 19-XXX
DRAWN BY: MHW1
CHECKED BY: BFV3
DATE: 2-1-2019
SCALE: 1"=20'

MILL, INLAY, AND STRIPING
PLAN SHEET

REVISIONS

NO.	DESCRIPTION	DATE

**TYLER STREET IMPROVEMENTS
SENA RD TO WASHINGTON AVE
CONWAY, ARKANSAS**

JOB NUMBER: 19-XXX
DRAWN BY: MHW1
CHECKED BY: BEV3
DATE: 2-1-2019
SCALE: 1"=20'

**MILL, INLAY, AND STRIPING
PLAN SHEET**



REVISIONS

NO.	DESCRIPTION	DATE

**TYLER STREET IMPROVEMENTS
 SENA RD TO WASHINGTON AVE
 CONWAY, ARKANSAS**

JOB NUMBER: 19-XXX
 DRAWN BY: MHW1
 CHECKED BY: BEV3
 DATE: 2-1-2019
 SCALE: 1"=20'

**MILL, INLAY, AND STRIPING
 PLAN SHEET**

NOTE: INDIVIDUAL LANE WIDTHS WILL VARY AS TOTAL PAVEMENT WIDTH AND LANE CONFIGURATION (UNLESS OTHERWISE NOTED ON THESE PLANS) VARY THROUGHOUT THE PROJECT LIMITS. CONSULT CONWAY STREET DETAILS PM-1 THROUGH PM-5 TO DETERMINE PROPER LANE WIDTHS BASED ON TOTAL PAVEMENT WIDTH AND CONFIGURATION (UNLESS OTHERWISE NOTED ON THESE PLANS).

NOTE: ALL MARKINGS TO BE THERMOPLASTIC UNLESS OTHERWISE NOTED

NOTE: INDIVIDUAL LANE WIDTHS WILL VARY AS TOTAL PAVEMENT WIDTH AND LANE CONFIGURATION (UNLESS OTHERWISE NOTED ON THESE PLANS) VARY THROUGHOUT THE PROJECT LIMITS. CONSULT CONWAY STREET DETAILS PM-1 THROUGH PM-5 TO DETERMINE PROPER LANE WIDTHS BASED ON TOTAL PAVEMENT WIDTH AND CONFIGURATION (UNLESS OTHERWISE NOTED ON THESE PLANS).



W TYLER ST & COUNTRY CLUB RD INTERSECTION
 (SEE CONWAY STANDARD DRAWINGS FOR ADDITIONAL INFORMATION)

REVISIONS

NO.	DESCRIPTION	DATE

**TYLER STREET IMPROVEMENTS
 SENA RD TO WASHINGTON AVE
 CONWAY, ARKANSAS**

JOB NUMBER: 19-XXX
 DRAWN BY: MHW1
 CHECKED BY: BEV3
 DATE: 2-1-2019
 SCALE: 1"=20'

**MILL, INLAY, AND STRIPING
 PLAN SHEET**



NOTE: ALL MARKINGS TO BE THERMOPLASTIC UNLESS OTHERWISE NOTED

4" SOLID YELLOW PAV'T MARKING
 4" YELLOW SKIP PAV'T MARKING

MILL & INLAY SIDE STREET
 TO END OF RADI
 (APPROX. 105 SQ.YDS.)

12" REFLECTORIZED PAINT CROSS WALK STRIPES
 10' WIDE (4' O.C.) ALIGNED WITH RAMPS

COLUMBIA DR

NOTE: INDIVIDUAL LANE WIDTHS WILL VARY AS TOTAL PAVEMENT WIDTH AND LANE CONFIGURATION (UNLESS OTHERWISE NOTED ON THESE PLANS) VARY THROUGHOUT THE PROJECT LIMITS. CONSULT CONWAY STREET DETAILS PM-1 THROUGH PM-5 TO DETERMINE PROPER LANE WIDTHS BASED ON TOTAL PAVEMENT WIDTH AND CONFIGURATION (UNLESS OTHERWISE NOTED ON THESE PLANS).

MILL & INLAY SALEM RD. TO
 240' NORTH OF TYLER ST.
 (APPROX. 987 SQ.YDS.)

4" SOLID DOUBLE YELLOW
 PAVEMENT MARKING

MILL & INLAY SIDE STREET
 TO END OF RADI
 (APPROX. 90 SQ.YDS.)

STEEPLE LN

PAVEMENT MARKINGS:
 BEGIN 2 LANE SECTION
 (SEE CONWAY STREET DETAILS PM-1
 AND PM-3 FOR LANE WIDTHS AND
 OTHER DIMENSIONAL REQUIREMENTS)

W TYLER STREET & SALEM RD INTERSECTION
 (SEE CONWAY STANDARD DRAWINGS FOR ADDITIONAL INFORMATION)

MILL & INLAY SALEM RD. TO
 130' SOUTH OF TYLER ST.
 (APPROX. 446 SQ.YDS.)

FLINTSTONE DR

NOTE: INDIVIDUAL LANE WIDTHS WILL VARY AS TOTAL PAVEMENT WIDTH AND LANE CONFIGURATION (UNLESS OTHERWISE NOTED ON THESE PLANS) VARY THROUGHOUT THE PROJECT LIMITS. CONSULT CONWAY STREET DETAILS PM-1 THROUGH PM-5 TO DETERMINE PROPER LANE WIDTHS BASED ON TOTAL PAVEMENT WIDTH AND CONFIGURATION (UNLESS OTHERWISE NOTED ON THESE PLANS).

REVISIONS

NO.	DESCRIPTION	DATE

**TYLER STREET IMPROVEMENTS
 SENA RD TO WASHINGTON AVE
 CONWAY, ARKANSAS**

JOB NUMBER: 19-XXX
 DRAWN BY: MHW1
 CHECKED BY: BFV3
 DATE: 2-1-2019
 SCALE: 1"=20'

**MILL, INLAY, AND STRIPING
 PLAN SHEET**



NOTE: ALL MARKINGS TO BE THERMOPLASTIC UNLESS OTHERWISE NOTED

NOTE: INDIVIDUAL LANE WIDTHS WILL VARY AS TOTAL PAVEMENT WIDTH AND LANE CONFIGURATION (UNLESS OTHERWISE NOTED ON THESE PLANS) VARY THROUGHOUT THE PROJECT LIMITS. CONSULT CONWAY STREET DETAILS PM-1 THROUGH PM-5 TO DETERMINE PROPER LANE WIDTHS BASED ON TOTAL PAVEMENT WIDTH AND CONFIGURATION (UNLESS OTHERWISE NOTED ON THESE PLANS).

NOTE: PHASE II TO BEGIN ONLY UPON ISSUANCE OF SEPARATE PHASE II NOTICE TO PROCEED.

END PHASE I MILL AND OVERLAY,
 BEGIN PHASE II MILL AND INLAY
 (AT EXISTING BOX CULVERT)

NOTE: INDIVIDUAL LANE WIDTHS WILL VARY AS TOTAL PAVEMENT WIDTH AND LANE CONFIGURATION (UNLESS OTHERWISE NOTED ON THESE PLANS) VARY THROUGHOUT THE PROJECT LIMITS. CONSULT CONWAY STREET DETAILS PM-1 THROUGH PM-5 TO DETERMINE PROPER LANE WIDTHS BASED ON TOTAL PAVEMENT WIDTH AND CONFIGURATION (UNLESS OTHERWISE NOTED ON THESE PLANS).

12" REFLECTORIZED PAINT CROSS WALK STRIPES
 10' WIDE (4' O.C.) ALIGNED WITH RAMPS

4" SOLID DOUBLE YELLOW
 PAVEMENT MARKING

4" SOLID DOUBLE YELLOW
 PAVEMENT MARKING

50.00' (TYP)
 13.00'
 26.00'
 13.00'

13.00'
 26.00'
 13.00'

REVISIONS

NO.	DESCRIPTION	DATE

**TYLER STREET IMPROVEMENTS
SENA RD TO WASHINGTON AVE
CONWAY, ARKANSAS**

JOB NUMBER: 19-XXX
DRAWN BY: MHW1
CHECKED BY: BEV3
DATE: 2-1-2019
SCALE: 1"=20'

**MILL, INLAY, AND STRIPING
PLAN SHEET**

NOTE: ALL MARKINGS TO BE THERMOPLASTIC UNLESS OTHERWISE NOTED

W TYLER ST & DONAGHEY AVE INTERSECTION
(SEE CONWAY STREET DETAIL PM-1 FOR INTERSECTION AND
DEDICATED LEFT TURN LANE DIMENSIONAL REQUIREMENTS
UNLESS DIMENSIONS OTHERWISE PROVIDED ON THIS DRAWING)

MILL & INLAY RIGHT TURN
LANE TO DONAGHEY
(APPROX. 184 SQ.YDS.)

NOTE: INDIVIDUAL LANE WIDTHS WILL VARY AS TOTAL PAVEMENT WIDTH AND LANE CONFIGURATION
(UNLESS OTHERWISE NOTED ON THESE PLANS) VARY THROUGHOUT THE PROJECT LIMITS. CONSULT
CONWAY STREET DETAILS PM-1 THROUGH PM-5 TO DETERMINE PROPER LANE WIDTHS BASED ON
TOTAL PAVEMENT WIDTH AND CONFIGURATION (UNLESS OTHERWISE NOTED ON THESE PLANS).

LANE WIDTHS EAST OF DONAGHEY (NOT INCLUDING TURN LANE TAPER AREAS)

TOTAL PAV'T WIDTH VARIES BETWEEN 28' AND 30' FROM DONAGHEY AVE. TO CLIFTON ST.
THEREFORE, PLACE DOUBLE YELLOW SO THAT AN EASTBOUND LANE WIDTH OF 15' IS MAINTAINED,
ALLOWING THE WESTBOUND LANE WIDTH TO VARY BETWEEN 13' AND 15' THROUGHOUT THIS
SECTION.

NOTE: INDIVIDUAL LANE WIDTHS WILL VARY AS TOTAL PAVEMENT WIDTH AND LANE CONFIGURATION
(UNLESS OTHERWISE NOTED ON THESE PLANS) VARY THROUGHOUT THE PROJECT LIMITS. CONSULT
CONWAY STREET DETAILS PM-1 THROUGH PM-5 TO DETERMINE PROPER LANE WIDTHS BASED ON
TOTAL PAVEMENT WIDTH AND CONFIGURATION (UNLESS OTHERWISE NOTED ON THESE PLANS).



12" REFLECTORIZED PAINT CROSS WALK STRIPES
10' WIDE (4' O.C.) ALIGNED WITH RAMPS

MILL & INLAY SIDE STREET
TO END OF RADII
(APPROX. 60 SQ.YDS.)

MILL & INLAY DONAGHEY
TP APPROX 50' NORTH
OF TYLER ST.
(APPROX. 200 SQ.YDS.)

MILL & INLAY RIGHT TURN
LANE TO DONAGHEY
(APPROX. 241 SQ.YDS.)

10.00'
10.50'
11.00'

125' TURN LANE

12" REFLECTORIZED PAINT CROSS WALK STRIPES
10' WIDE (4' O.C.) ALIGNED WITH RAMPS

VAR.
15.00'

4" SOLID DOUBLE YELLOW
PAVEMENT MARKING

50.00'
(TYP)

DONAGHEY AVE
125' TURN LANE
200.00'

MILL & INLAY DONAGHEY AVE TO
200' SOUTH OF TYLER ST.
(APPROX. 763 SQ.YDS.)



MANOR ST

JESSICA DR

4" SOLID DOUBLE YELLOW
PAVEMENT MARKING

13.00'

26.00'

13.00'

11.00'

32.00'

10.50'

11.00'

10.50'

150' TURN LANE

100'

100'

DONAGHEY AVE

125' TURN LANE

36.00'

200.00'

DONAGHEY AVE

MARILYN DR

BERRY PL DR

MEADOWBROOK DR

REVISIONS

NO.	DESCRIPTION	DATE

**TYLER STREET IMPROVEMENTS
 SENA RD TO WASHINGTON AVE
 CONWAY, ARKANSAS**

JOB NUMBER: 19-XXX
 DRAWN BY: MHW1
 CHECKED BY: BEV3
 DATE: 2-1-2019
 SCALE: 1"=20'

**MILL, INLAY, AND STRIPING
 PLAN SHEET**

NOTE: ALL MARKINGS TO BE THERMOPLASTIC UNLESS OTHERWISE NOTED



MEADOWBROOK DR

MILL & INLAY SIDE STREET TO END OF RADII (APPROX. 111 SQ.YDS.)

12" REFLECTORIZED PAINT CROSS WALK STRIPES 10' WIDE (4' O.C.) ALIGNED WITH RAMPS

50.00' (TYP)

MILL & INLAY SIDE STREET TO END OF RADII (APPROX. 46 SQ.YDS.)

DAVIS ST

4" SOLID DOUBLE YELLOW PAVEMENT MARKING

MILL & INLAY SIDE STREET TO END OF RADII (APPROX. 50 SQ.YDS.)

12" REFLECTORIZED PAINT CROSS WALK STRIPES 10' WIDE (4' O.C.) ALIGNED WITH RAMPS

VAR.

15.00'

MILL & INLAY SIDE STREET TO END OF RADII (APPROX. 72 SQ.YDS.)

CLIFTON ST

CROSSWALK (TYP.) 12" THICK WHITE PAVEMENT MARKINGS (10' EACH AT 4' O.C.)

YIELD LINE (TYP.) SEE ARDOT STD. DWG. PM-1

WASHINGTON AVE

MILL & INLAY WASHINGTON AVE TO JOINT LOCATED 65' NORTH OF ROUNDABOUT (APPROX. 288 SQ.YDS.)

MILL & INLAY ROUNDABOUT (APPROX. 580 SQ.YDS.)

END TYLER STREET PHASE II MILL & INLAY

N: 280214.43
 E: 1179547.26

4" SOLID YELLOW PAV'T MARKING

CLIFTON ST

MILL & INLAY WASHINGTON AVE TO JOINT LOCATED 86' SOUTH OF ROUNDABOUT (APPROX. 458 SQ.YDS.)

WASHINGTON AVE

MILL & INLAY TYLER STREET TO JOINT LOCATED 125' EAST OF ROUNDABOUT (APPROX. 368 SQ.YDS.)

NOTE: INDIVIDUAL LANE WIDTHS WILL VARY AS TOTAL PAVEMENT WIDTH AND LANE CONFIGURATION (UNLESS OTHERWISE NOTED ON THESE PLANS) VARY THROUGHOUT THE PROJECT LIMITS. CONSULT CONWAY STREET DETAILS PM-1 THROUGH PM-5 TO DETERMINE PROPER LANE WIDTHS BASED ON TOTAL PAVEMENT WIDTH AND CONFIGURATION (UNLESS OTHERWISE NOTED ON THESE PLANS).

REVISIONS

NO.	DESCRIPTION	DATE

PERMANENT PAVEMENT MARKINGS

DESCRIPTION	END OF JOB LIN. FT. - EACH	THERMOPLASTIC PAVEMENT MARKING							REFLECTORIZED PAINT PAVEMENT MARKING	
		4"		6"	YIELD LINE	12"	24"	ARROWS	BIKE EMBLEMS	12"
		WHITE	YELLOW	WHITE		WHITE	WHITE			WHITE
		LIN. FT.					EACH		LIN. FT.	
THERMOPLASTIC PAVEMENT MARKING WHITE (4")	1220	1220								
THERMOPLASTIC PAVEMENT MARKING YELLOW (4")	48200		48200							
THERMOPLASTIC PAVEMENT MARKING WHITE (6")	4900			4900						
THERMOPLASTIC PAVEMENT MARKING (YIELD LINE)	50				50					
THERMOPLASTIC PAVEMENT MARKING WHITE (12")	1410					1410				
THERMOPLASTIC PAVEMENT MARKING WHITE (24")	347						347			
THERMOPLASTIC PAVEMENT MARKING (ARROWS)	49						49			
THERMOPLASTIC PAVEMENT MARKING (BIKE EMBLEMS)	9							9		
REFLECTORIZED PAINT PAVEMENT MARKING WHITE (12")	1910								1910	
TOTALS:		1220	48200	4900	50	1410	347	49	9	1910

NOTE: THIS IS A HIGH TRAFFIC VOLUME ROAD AS DEFINED IN SECTION 604.03, STANDARD SPECIFICATIONS FOR HIGHWAY CONSTRUCTION.

NOTE: NO PERMANENT PAVEMENT MARKINGS SHALL BE PLACED UNTIL A MINIMUM OF 3 DAYS AFTER ALL MAIN LANE PAVING HAS BEEN COMPLETED. IN ADDITION, NO PERMANENT PAVEMENT MARKINGS SHALL BE PLACED DURING THE TIME PERIOD FROM DECEMBER 21 TO MARCH 15, INCLUSIVE.

City of Conway Standard Details: PM-1, PM-2, PM-3, PM-4

REMOVAL AND DISPOSAL OF FENCE

STATION	STATION	LOCATION	FENCE LIN. FT.
18+70	20+45	TYLER STREET ON RT	205
TOTALS:			205

FENCING

STATION	STATION	LOCATION	4' CHAIN LINK FENCE LIN. FT.
18+70	20+45	TYLER STREET ON RT	175
TOTALS:			175

EROSION CONTROL

STATION	STATION	LOCATION	PERMANENT EROSION CONTROL		TEMPORARY EROSION CONTROL		
			WATER	SOLID SODDING	ROCK DITCH CHECKS	SILT FENCE	*SEDIMENT REMOVAL & DISPOSAL
					(EC-2)	(EC-1)	
M.GAL.	SQ.YD.	CU.YD.	LIN. FT.	CU. YD.			
ENTIRE	SITE	SITE 1	17.2	1368		1610	60
ENTIRE	SITE	SITE 2	7.4	585		975	36
*ENTIRE PROJECT TO BE USED IF AND WHERE DIRECTED BY THE ENGINEER.					15		5
TOTALS:			24.6	1953	15	2585	101

NOTE: THE TEMPORARY EROSION CONTROL DEVICES SHOWN ABOVE AND ON THE PLANS SHALL BE INSTALLED IN SUCH A SEQUENCE AS TO DETER EROSION AND SEDIMENTATION ON U.S. WATERWAYS AS EXPLAINED BY THE NATIONAL POLLUTANT DISCHARGE ELIMINATION SYSTEM PERMIT.

WATER QUANTITIES ARE SUBSIDIARY TO SOLID SODDING

*QUANTITIES ESTIMATED.
SEE SECTION 104.03 OF THE ARDOT STD. SPECS.
City of Conway Standard Details: EC-1, EC-2

REMOVAL AND DISPOSAL OF CONCRETE DRIVEWAYS

STATION	LOCATION	*CONCRETE DRIVEWAYS SQ. YD.
11+90	TYLER STREET DRIVEWAY ON RT	43
13+22	TYLER STREET DRIVEWAY ON RT	35
14+88	TYLER STREET DRIVEWAY ON RT	27
16+12	TYLER STREET DRIVEWAY ON RT	40
18+60	TYLER STREET DRIVEWAY ON RT	42
27+95	TYLER STREET DRIVEWAY ON RT	10
40+65	TYLER STREET DRIVEWAY ON LT	20
44+50	TYLER STREET DRIVEWAY ON LT	17
47+70	TYLER STREET DRIVEWAY ON LT	13
48+42	TYLER STREET DRIVEWAY ON LT	8
51+03	TYLER STREET DRIVEWAY ON LT	68
		323

* FOR INFORMATION PURPOSES ONLY. TO BE PAID FOR UNDER SITE PREPERATION

MAILBOXES

LOCATION	MAILBOXES	MAILBOX SUPPORTS	
		(SINGLE)	(DOUBLE)
EACH			
ENTIRE PROJECT	12	10	1
TOTALS:	12	10	1

Note: Existing Mailboxes to be Removed and Restored
ARDOT Standard Drawing: MB-1

EARTHWORK

STATION	STATION	LOCATION / DESCRIPTION	UNCLASSIFIED EXCAVATION	COMPACTED EMBANKMENT	UNDERCUT & SELECT
			CU. YD.		
10+00	33+95	SIDEWALK ADDITION SITE 1	120	150	
40+09	51+86	SIDEWALK ADDITION SITE 2	50	50	
10+00	51+86	APPROACHES (SIDEWALK ADDITION)	10	25	
* ENTIRE	PROJECT	TO BE USED IF AND WHERE DIRECTED BY THE ENGINEER			2000
TOTALS:			180	225	2000

* QUANTITY ESTIMATED.
SEE SECTION 104.03 OF THE STD. SPECS.

NOTE: EARTHWORK QUANTITIES SHOWN ABOVE SHALL BE PAID AS PLAN QUANTITY.

CONCRETE WALKS

STATION	STATION	LOCATION	LENGTH	SIDEWALK WIDTH	CONCRETE WALKS
			LIN. FT.		SQ.YD.
10+06	16+77	TYLER STREET ON RT	490	5	272
17+21	20+50	TYLER STREET ON RT	315	5	175
21+00	25+06	TYLER STREET ON RT	370	5	206
25+06	25+26	TYLER STREET ON RT	20	5	11
25+26	33+95	TYLER STREET ON RT	606	6	404
40+09	49+20	TYLER STREET ON LT	810	5	450
49+20	49+56	TYLER STREET ON LT	22	6	12
50+16	51+86	TYLER STREET ON LT	124	6	69
TOTAL:					1599

City of Conway Standard Details: SW-1

STRUCTURES

STATION	DESCRIPTION	JUNCT. BOXES	MODIFYING DROP INLETS	CITY OF CONWAY STD. DWG. NOS.
		EACH	EACH	
25+31	JUNCTION BOX ON RT W/OPENING IN BACK	1		D-2, D-5
26+09	JUNCTION BOX ON RT W/OPENING IN BACK	1		D-2, D-5
26+83	JUNCTION BOX ON RT W/OPENING IN BACK	1		D-2, D-5
27+69	JUNCTION BOX ON RT W/OPENING IN BACK	1		D-2, D-5
28+38	JUNCTION BOX ON RT W/OPENING IN BACK	1		D-2, D-5
42+09	JUNCTION BOX ON RT W/OPENING IN BACK	1		D-2, D-5
44+88	JUNCTION BOX ON RT W/OPENING IN BACK	1		D-2, D-5
47+79	EXTEND INLET OPENING IN BACK		1.00	D-5
TOTALS:		7	1.00	

TYLER STREET IMPROVEMENTS
SENA DR TO WASHINGTON AVE
CONWAY, ARKANSAS

JOB NUMBER: 18-103

DRAWN BY: MHW1

CHECKED BY: BEV3

DATE: 8/14/2018

SCALE: 1"=20'

QUANTITIES

24

DRIVEWAYS & TURNOUTS

STATION	SIDE	LOCATION	WIDTH	PORTLAND CEMENT CONCRETE DRIVEWAY	ACHM SURFACE COURSE (3/8") 220 LBS. PER SQ. YD. (PG 64-22)		AGGREGATE BASE COURSE (CLASS 7)
			FEET	SQ. YD.	SQ. YD.	TON	TON
11+90	RT	TYLER STREET	20	46.12			
13+22	RT	TYLER STREET	16	39.44			
14+88	RT	TYLER STREET	17	30.34			
16+12	RT	TYLER STREET	19	44.00			
18+60	RT	TYLER STREET	14	45.89			
27+95	RT	TYLER STREET	9	13.33			
29+92	RT	TYLER STREET	16	21.22			
30+52	RT	TYLER STREET	24	26.67			
31+22	RT	TYLER STREET	16	15.94			
40+65	LT	TYLER STREET	17	23.55			
43+20	LT	TYLER STREET	8	7.22			5.13
44+50	LT	TYLER STREET	17	19.78			
46+37	LT	TYLER STREET	28	18.33	18.67	2.05	7.62
46+97	LT	TYLER STREET	12	9.44	9.33	1.03	3.81
48+42	LT	TYLER STREET	7	10.56			
51+03	LT	TYLER STREET	36	66.78			
* ENTIRE PROJECT TEMPORARY DRIVES							
TOTALS:							
				438.61	28.00	3.08	66.56

BASIS OF ESTIMATE:
MAXIMUM NUMBER OF GYRATIONS = 115 FOR PG 64-22

* QUANTITY ESTIMATED
SEE SECTION 104.03 OF THE ARDOT STD. SPECS.
TO BE USED IF AND WHERE DIRECTED BY THE ENGINEER.

City of Conway Standard Details: DW-2, NO CURB MODIFICATION, LEAVE AT EXISTING HEIGHT.

WHEELCHAIR RAMPS

STATION	LOCATION	TYPE 3B	TYPE 4	TYPE 5
		SQ.YD.		
10+03	TYLER STREET RT	4.4		
16+81	TYLER STREET RT	4.4		
17+18	TYLER STREET RT	4.4		
20+55	TYLER STREET RT	4.4		
20+96	TYLER STREET RT	4.4		
34+04	TYLER STREET RT			7.3
	DONAGHEY ISLAND WEST		7.6	
	DONAGHEY ISLAND EAST		7.6	
	DONAGHEY EAST		13.0	
40+05	TYLER STREET LT	4.4		
49+61	TYLER STREET LT	8.6		
50+10	TYLER STREET LT	8.6		
51+70	TYLER STREET LT		13.4	
TOTALS:				
		43.6	41.6	7.3

City of Conway Standard Details: AR-4, AR-5, AR-6

ACHM PATCHING OF EXISTING ROADWAY

DESCRIPTION	TON
ENTIRE PROJECT - TO BE USED IF AND WHERE DIRECTED BY THE ENGINEER	200
TOTAL:	200

NOTE: QUANTITY ESTIMATED.
SEE SECTION 104.03 OF THE STD. SPECS.

BASE AND SURFACING

LOCATION	LENGTH FEET	TACK COAT (0.05 GAL. PER SQ. YD.)			ACHM SURFACE COURSE (TYPE 3)				
		TOTAL WID.	SQ.YD.	GALLON	TOTAL GALLONS	AVG. WID. FEET	SQ.YD.	POUND / SQ.YD.	TOTAL PG 70-22 TON
		TYLER ST - FROM SENA TO 300' EAST OF BYRON	1360.00	32.00	4835.56	241.78	241.78	32.00	4835.56
TYLER ST - FROM 300' EAST OF BYRON TO 25' WEST OF MONTANA	2650.00	32.00	9422.22	471.11	471.11	32.00	9422.22	440.00	2072.89
TYLER ST - FROM 25' WEST OF MONTANA TO 300' WEST OF HOGAN	2330.00	32.00	8284.44	414.22	414.22	32.00	8284.44	220.00	911.29
TYLER ST - FROM 200' EAST OF HOGAN TO SALEM	7950.00	32.00	28266.67	1413.33	1413.33	32.00	28266.67	220.00	3109.33
TYLER ST - FROM SALEM TO 375' WEST OF DONAGHEY	4900.00	26.00	14155.56	707.78	707.78	26.00	14155.56	220.00	1557.11
TYLER ST - FROM 375' WEST OF DONAGHEY TO WASHINGTON	2640.00	32.00	9386.67	469.33	469.33	32.00	9386.67	220.00	1032.53
COUNTRY CLUB RD (NORTH & SOUTH, TO END OF RADII)	66.00	VAR.	310.00	15.50	15.50	VAR.	310.00	220.00	34.10
SALEM RD (240' NORTH, 130' SOUTH)	370.00	VAR.	1433.00	71.65	71.65	VAR.	1433.00	220.00	157.63
DONAGHEY AVE (50' NORTH, 200' SOUTH)	250.00	VAR.	963.00	48.15	48.15	VAR.	963.00	220.00	105.93
RIGHT TURN LANES FROM TYLER TO DONAGHEY	270.00	VAR.	425.00	21.25	21.25	VAR.	425.00	220.00	46.75
WASHINGTON AVE. ROUNDABOUT	VAR.	VAR.	1694.00	84.70	84.70	VAR.	1694.00	220.00	186.34
ADDITIONAL FOR MINOR SIDE STREETS	VAR.	VAR.	3450.00	172.50	172.50	VAR.	3450.00	220.00	379.50
TOTALS:			82626.12	4131.30	4131.30		82626.12		10125.31

BASIS OF ESTIMATE:
NO. OF BLOWS = 75 FOR TYPE 3 MARSHALL MIXTURE IN HIGH TRAFFIC OVERLAY
TACK COAT QUANTITIES WERE CALCULATED USING THE EMULSIFIED ASPHALT RATES. REFER TO SS-400-1 FOR THE RESIDUAL ASPHALT APPLICATION RATES.

CONCRETE BASE

LOCATION	LENGTH FEET	CEMENT TREATED RECONSTRUCTED BASE		
		AVG. WID.	PROCESSING	CEMENT
		FEET	SQ. YD.	TON
BYRON DR. TO MONTANA DR.	2650.00	32.00	9422.22	263.82
TOTALS:			9422.22	263.82

BASIS OF ESTIMATE:
CEMENT TREATED RECONSTRUCTED BASE = 94.0% AGGR. 6.0% CEMENT

COLD MILLING ASPHALT PAVEMENT

LOCATION	AVG. WIDTH	COLD MILLING ASPHALT PAVEMENT
	FEET	SQ. YD.
TYLER STREET - FROM SENA TO SALEM	32.00	52213.33
TYLER STREET - FROM SALEM TO DONAGHEY	26.00	15542.22
TYLER STREET - FROM DONAGHEY TO WASHINGTON	32.00	9173.33
HOGAN LN (NORTH & SOUTH, TO END OF RADII)	VAR.	250.00
COUNTRY CLUB RD (NORTH & SOUTH, TO END OF RADII)	VAR.	310.00
SALEM RD (240' NORTH, 130' SOUTH)	VAR.	1433.00
DONAGHEY AVE (NORTH TO JOINT, 200' SOUTH)	VAR.	828.00
RIGHT TURN LANES FROM TYLER TO DONAGHEY	VAR.	425.00
WASHINGTON AVE. ROUNDABOUT	VAR.	1694.00
ADDITIONAL FOR MINOR SIDE STREETS	VAR.	3450.00
TOTAL:		85318.88

NOTE: AVERAGE MILLING DEPTH 2" EXCEPT IN AREAS WITH CEMENT TREATED RECONSTRUCTED BASE



REVISIONS

NO.	DESCRIPTION	DATE

TYLER STREET IMPROVEMENTS
SENA DR TO WASHINGTON AVE
CONWAY, ARKANSAS

JOB NUMBER: 18-103
 DRAWN BY: MHW1
 CHECKED BY: BFV3
 DATE: 8/14/2018
 SCALE: 1"=20'

QUANTITIES

SUMMARY OF QUANTITIES

Item #	Description	Quantity	Unit
1	Site Preparation	1.00	L.S.
2	Removal and Disposal of Fence	205.00	LIN. FT.
3	Unclassified Excavation	180.00	CU. YD.
4	Compacted Embankment	225.00	CU. YD.
5	Undercut and Select Backfill	2000.00	CU. YD.
6	Aggregate Base Course (Class 7)	67	TON
7	Processing Cement Treated Reconstructed Base	9422	SQ. YD.
8	Cement in Cement Treated Reconstructed Base	264	TON
9	Tack Coat	4131	GAL
10	Asphalt Surface Course (70-22) (Type 3 Marshall)	10125	TON
* 11	Cold Milling Asphalt Pavement (Option A)	85319	SQ. YD.
* 12	Cold Milling Asphalt Pavement (Option B)	85319	SQ. YD.
13	ACHM Patching of Existing Roadway	200	TON
14	Portland Cement Concrete Driveway	438.61	SQ. YD.
15	Mobilization	1.00	L.S.
16	Maintenance of Traffic	1.00	L.S.
17	Junction Boxes	7	EACH
18	4' Steel Chain Link Fence	175	LIN. FT.
19	Silt Fence	2585	LIN. FT.
20	Sediment Removal and Disposal	101	CU. YD.
21	Rock Ditch Checks	15	CU. YD.
22	Solid Sodding	1953	SQ. YD.
23	Concrete Walks	1599	SQ. YD.
24	Remove and Restore Mailboxes	12	EACH
25	Mailbox Supports (Single)	10	EACH
26	Mailbox Supports (Double)	1	EACH
27	Modifying Drop Inlets	1	EACH
28	Wheelchair Ramps (Type 3B)	44	SQ. YD.
29	Wheelchair Ramps (Type 4)	42	SQ. YD.
30	Wheelchair Ramps (Type 5)	7	SQ. YD.
31	Reflectorized Paint Pavement Marking White (12")	1910	LIN. FT.
32	Thermoplastic Pavement Marking White (4")	1220	LIN. FT.
33	Thermoplastic Pavement Marking White (6")	4900	LIN. FT.
34	Thermoplastic Pavement Marking White (12")	1410	LIN. FT.
35	Thermoplastic Pavement Marking White (24")	347	LIN. FT.
36	Thermoplastic Pavement Marking Yellow (4")	48200	LIN. FT.
37	Thermoplastic Pavement Marking (Yield Line)	50	LIN. FT.
38	Thermoplastic Pavement Marking (Arrows)	49	EACH
39	Thermoplastic Pavement Marking (Bike Emblems)	9	EACH
40	Construction Layout	1.00	L.S.

* Denotes Alternate Bid Items



CITY OF CONWAY
TRANSPORTATION
DEPARTMENT
100 EAST ROBINS
CONWAY, AR 72032
501-450-6165

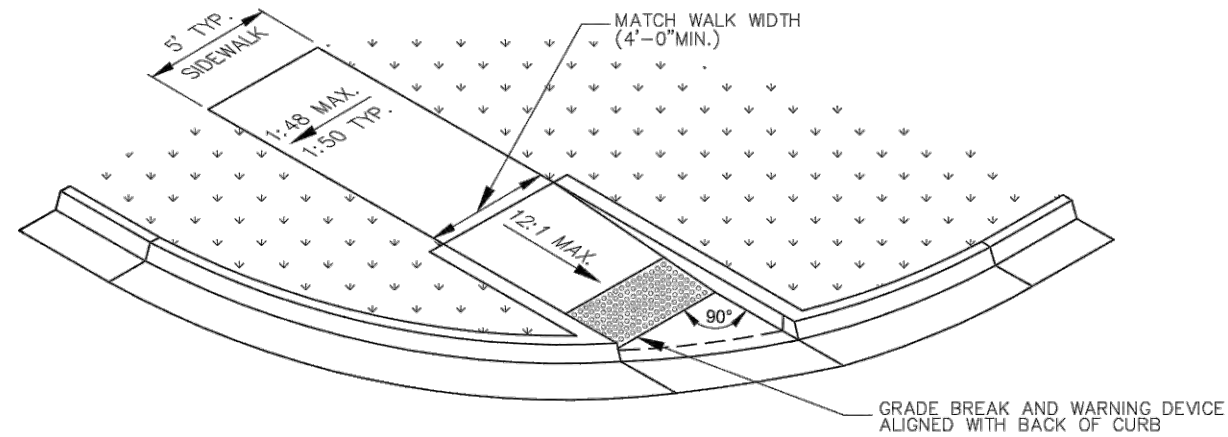
REVISIONS

NO.	DESCRIPTION	DATE

**TYLER STREET IMPROVEMENTS
SENA DR TO WASHINGTON AVE
CONWAY, ARKANSAS**

JOB NUMBER: 18-103
DRAWN BY: MHW1
CHECKED BY: BEV3
DATE: 8/14/2018
SCALE: 1"=20'

**SUMMARY OF
QUANTITIES**

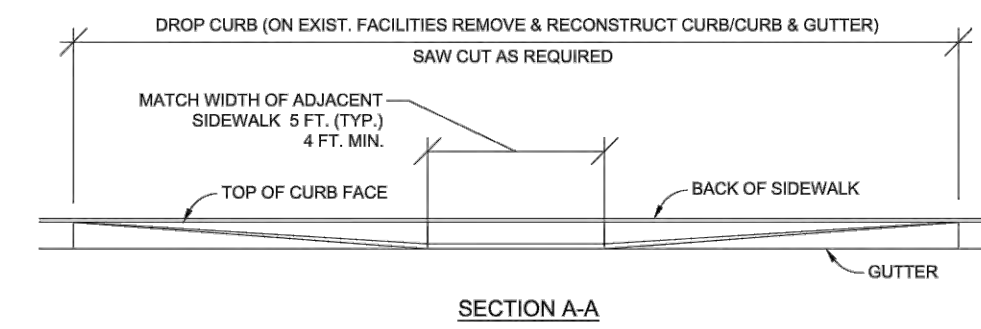
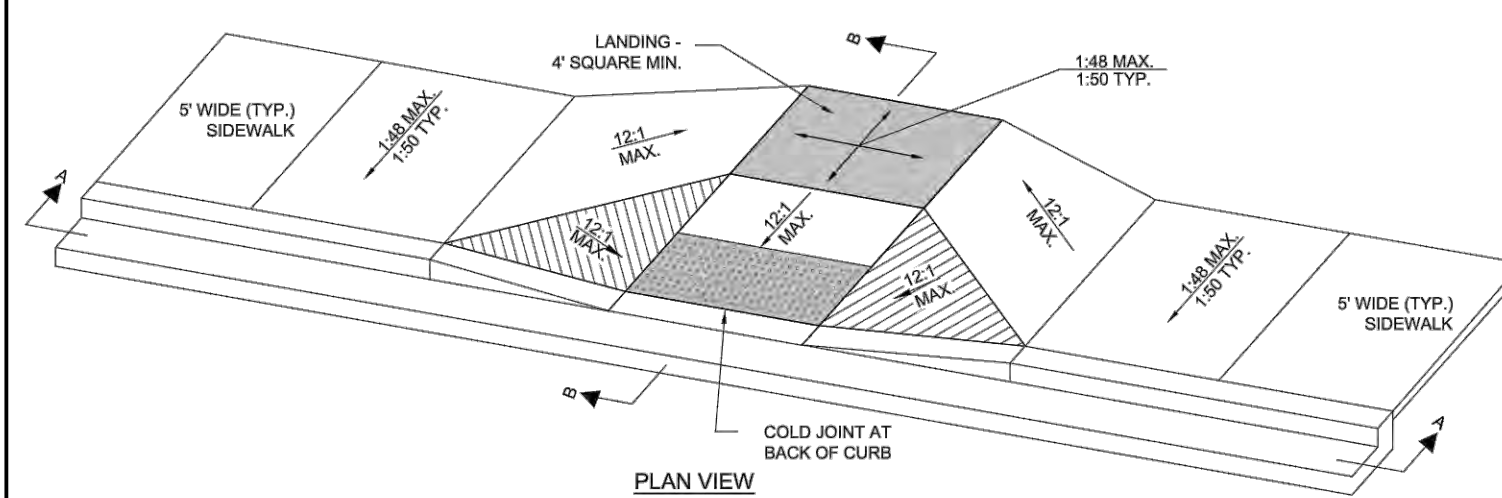
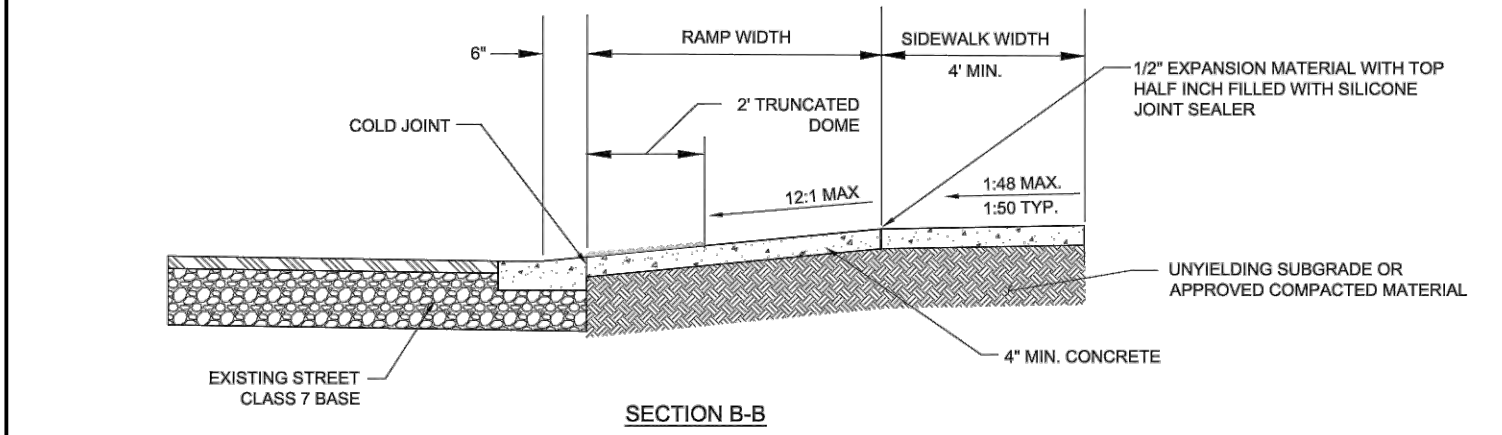


NOTES:

1. ALL MATERIALS AND CONSTRUCTION SHALL COMPLY WITH SECTION 633 OF THE ARKANSAS HIGHWAY AND TRANSPORTATION DEPARTMENT STANDARD SPECIFICATIONS FOR HIGHWAY CONSTRUCTION, 2014 EDITION.
2. FULL DEPTH EXPANSION JOINTS (FOUR INCHES) SHALL BE PROVIDED AT THE EDGE OF THE SIDEWALK AND RAMP.
3. ALL SIDEWALKS AND DRIVEWAY APPROACHES SHALL BE CONSTRUCTED WITH A BROOM FINISH.
4. **ALL SIDEWALKS AND CURB CUTS FOR HANDICAP RAMPS REQUIRE AN INSPECTION PRIOR TO CONCRETE PLACEMENT.**

TYPE 3B ACCESS RAMP

N.T.S.

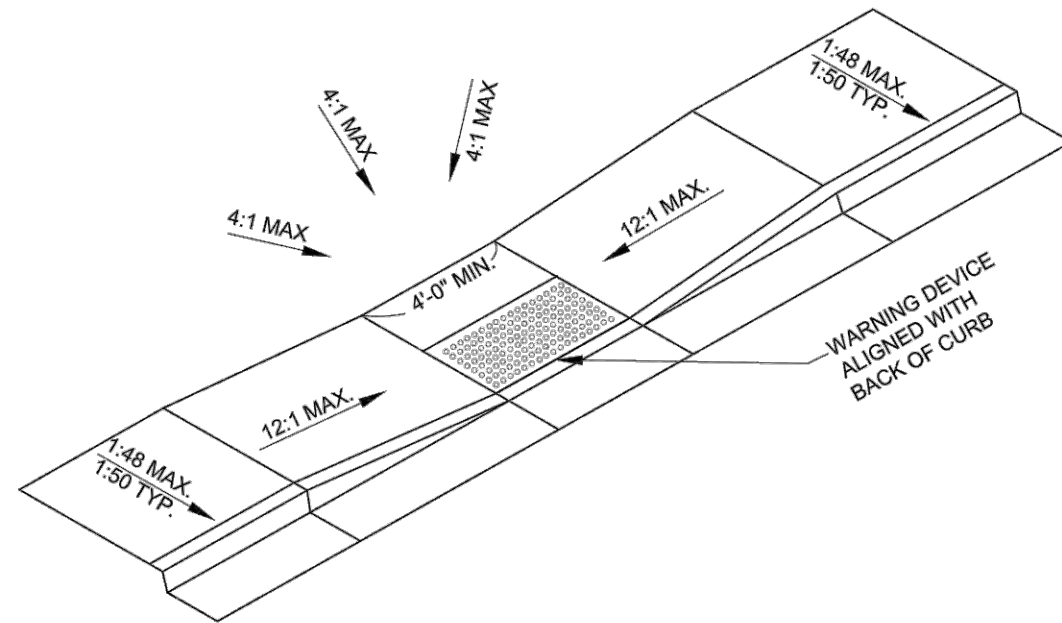


NOTES:

1. ALL MATERIALS AND CONSTRUCTION SHALL COMPLY WITH SECTION 633 OF THE ARKANSAS HIGHWAY AND TRANSPORTATION DEPARTMENT STANDARD SPECIFICATIONS FOR HIGHWAY CONSTRUCTION, 2014 EDITION.
2. FULL DEPTH EXPANSION JOINTS (FOUR INCHES) SHALL BE PROVIDED AT THE EDGE OF THE SIDEWALK AND RAMP.
3. ALL SIDEWALKS AND DRIVEWAY APPROACHES SHALL BE CONSTRUCTED WITH A BROOM FINISH.
4. **ALL SIDEWALKS AND CURB CUTS FOR HANDICAP RAMPS REQUIRE AN INSPECTION PRIOR TO CONCRETE PLACEMENT.**

TYPE 4 ACCESS RAMP

N.T.S.



- NOTES:
1. ALL MATERIALS AND CONSTRUCTION SHALL COMPLY WITH SECTION 633 OF THE ARKANSAS HIGHWAY AND TRANSPORTATION DEPARTMENT STANDARD SPECIFICATIONS FOR HIGHWAY CONSTRUCTION, 2014 EDITION.
 2. FULL DEPTH EXPANSION JOINTS (FOUR INCHES) SHALL BE PROVIDED AT THE EDGE OF THE SIDEWALK AND RAMP.
 3. ALL SIDEWALKS AND DRIVEWAY APPROACHES SHALL BE CONSTRUCTED WITH A BROOM FINISH.
 4. ALL SIDEWALKS AND CURB CUTS FOR HANDICAP RAMPS REQUIRE AN INSPECTION PRIOR TO CONCRETE PLACEMENT.

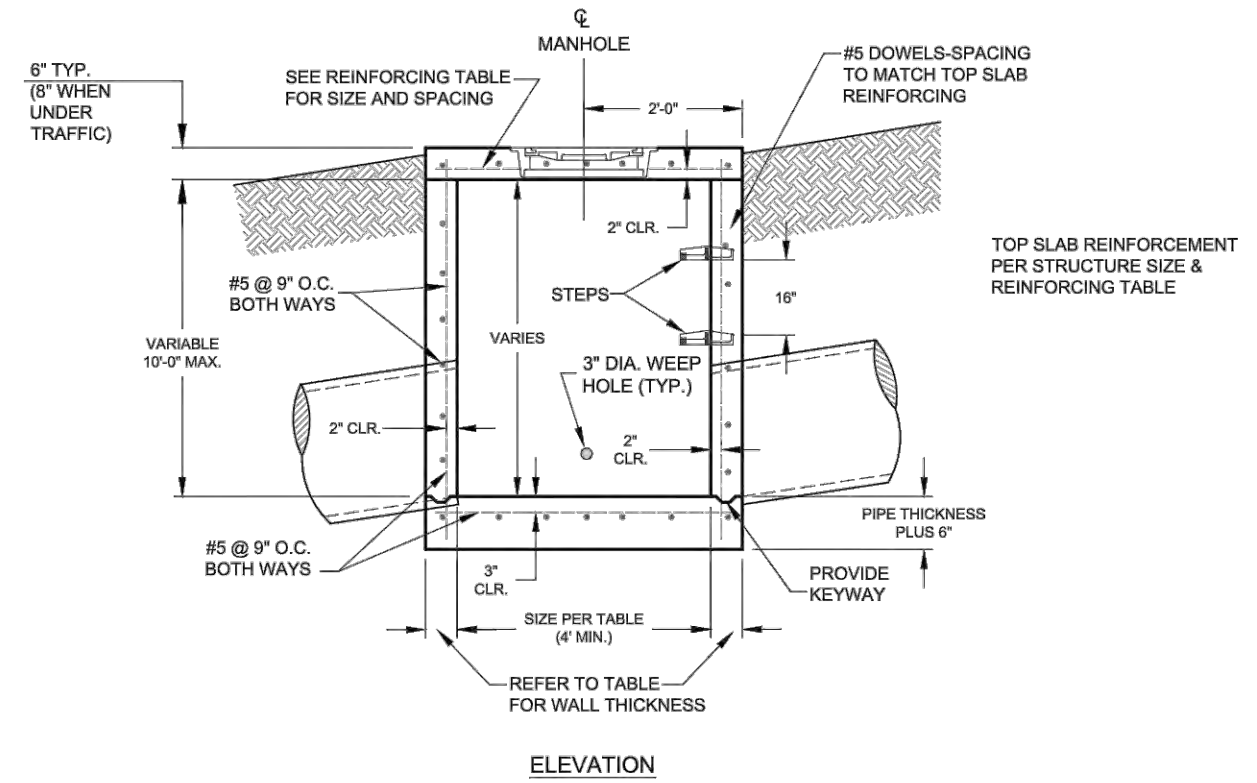
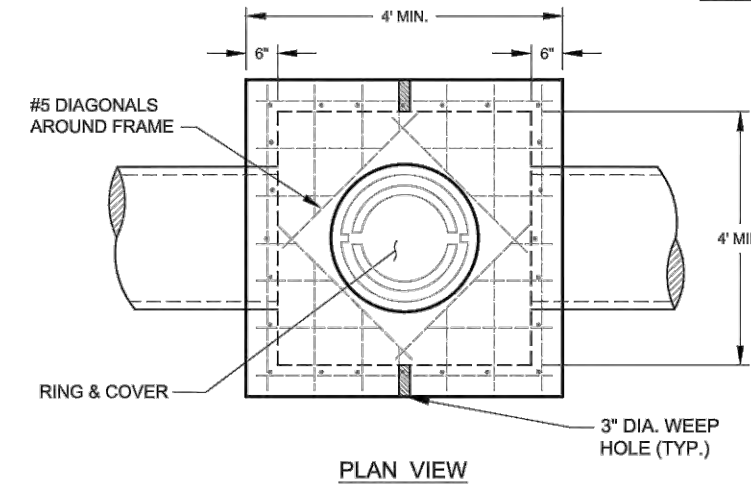
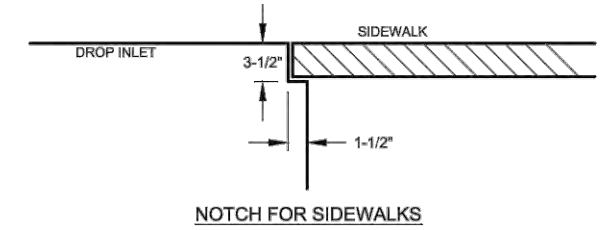
TYPE 5 ACCESS RAMP

N.T.S.

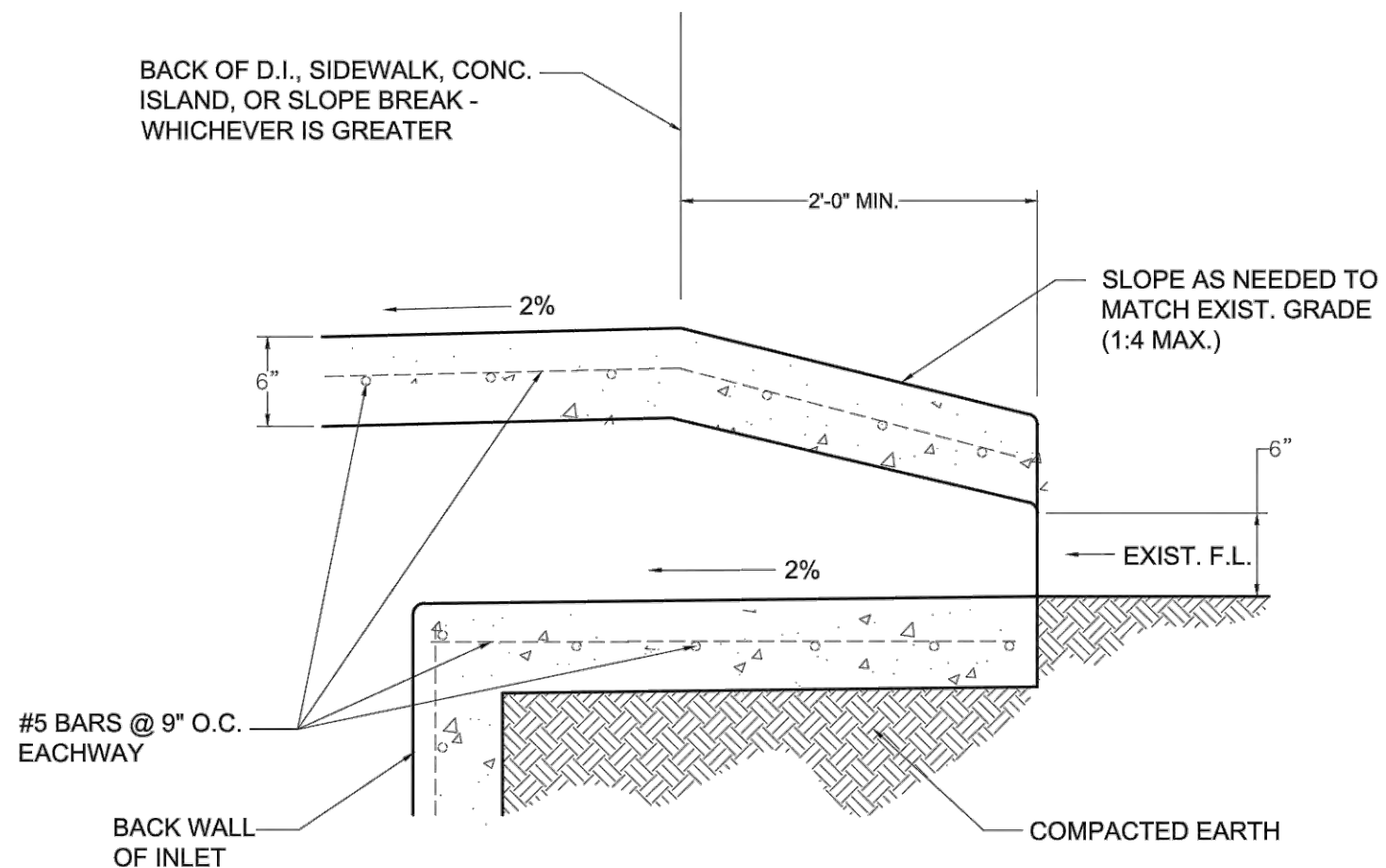
GENERAL NOTES:

1. ALL EXPOSED CORNERS TO HAVE 3/4" CHAMFER.
2. STEPS SHALL BE INSTALLED IN ALL INLETS 4'-0" HIGH AND OVER OR AS DIRECTED BY THE ENGINEER.
3. ALL REINFORCING BARS SHALL BE GRADE 60 AND HAVE MIN. 1" COVER.
4. ALL WORK SHALL COMPLY WITH SECTION 609 OF THE AHTD STANDARD SPECIFICATIONS FOR HIGHWAY CONSTRUCTION, 2014 EDITION.
5. BOXES LOCATED ON CURVED SECTIONS SHALL CONFORM TO THE CURVATURE OF THE CURB.
6. BASE AND INLET WALLS SHALL BE CAST MONOLITHICALLY.
7. PIPES MAY ENTER JUNCTION BOX FROM ANY ANGLE OR ELEVATION AS MAY BE APPROVED BY THE ENGINEER.
8. ALTERNATE JUNCTION BOX DESIGNS MAY BE SUBSTITUTED AS APPROVED BY THE ENGINEER.
9. 3-1/2"x 1-1/2" NOTCH SHALL BE FORMED IN ALL JUNCTION BOXES TO SUPPORT SIDEWALK CONSTRUCTION. REFER TO DETAIL OF NOTCH FOR SIDEWALKS.
10. HEAVY DUTY RING AND COVER SHALL BE USED WHEN BOX IS LOCATED WITHIN THE ROADWAY OR A CURB RADIUS. STANDARD DUTY ("NON-TRAFFIC" RATED) RING AND COVER MAY BE USED IN OTHER AREAS OUTSIDE OF ROADWAY.
11. HEAVY DUTY RING AND COVER TO BE EAST JORDAN V-1800-2 & 1348A OR APPROVED EQUAL.
12. STANDARD DUTY RING AND COVER TO BE EAST JORDAN V-1865 MANHOLE ASSEMBLY OR APPROVED EQUAL.

INSIDE DIMENSION	DIAMETER OF OUTLET PIPE	MIN. WALL THICKNESS	TOP CONCRETE SLAB REINFORCING
4'	12" - 27"	6"	#5'S @ 6" O.C. E.W.
5'	30" - 42"	8"	#5'S @ 6" O.C. E.W.
6'	48" - 54"	8"	#6'S @ 6" O.C. E.W.



BACK OF D.I., SIDEWALK, CONC. ISLAND, OR SLOPE BREAK - WHICHEVER IS GREATER



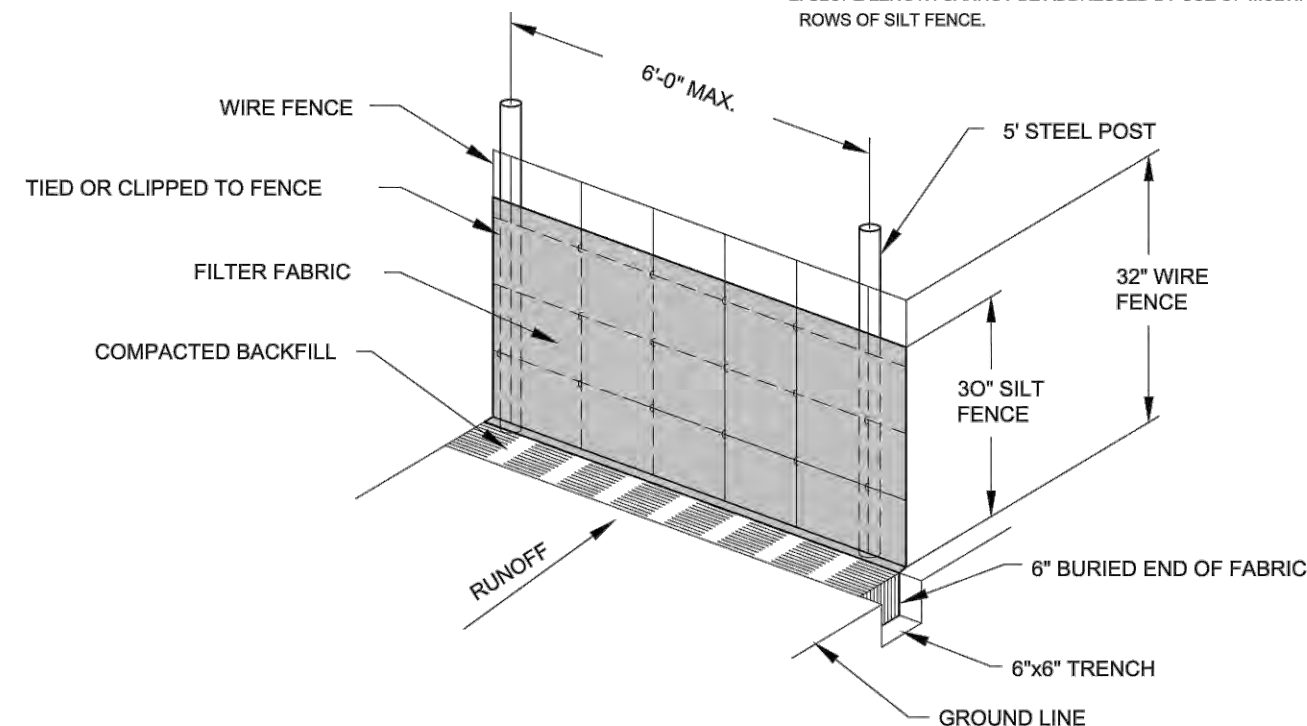
WHEN OPENING IN BACK IS CALLED FOR ON PLANS, EXTEND OPENING AS SHOWN IN DETAIL.

BACK OPENING

Slope-Percent	Maximum Slope Length (ft) Above Fence	
	Standard (18" High) Silt Fence	Reinforced (30" High) Silt Fence
2 (or less)	150	250
5	100	250
10	50	150
15	35	100
20	25	70
25	20	55
30	15	45
35	15	40
40	15	35
45	10	30
50	10	25

NOTES:

1. THE SLOPE LENGTH SHOWN IS THE DISTANCE FROM THE FENCE TO THE DRAINAGE DIVIDE OR THE NEAREST UPSLOPE CHANNEL.
2. SLOPE LENGTH CANNOT BE ADDRESSED BY USE OF MULTIPLE ROWS OF SILT FENCE.

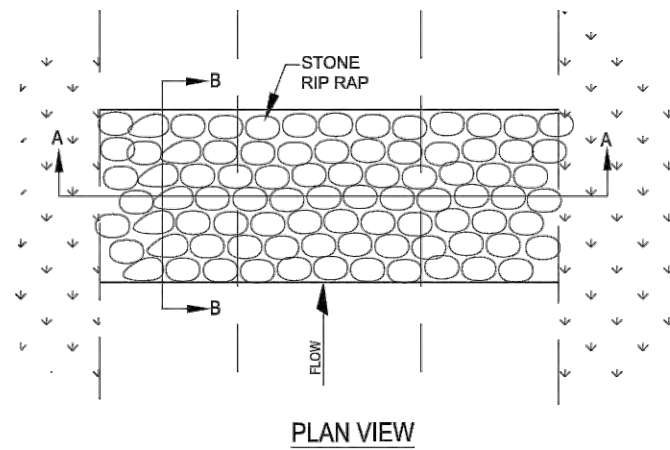
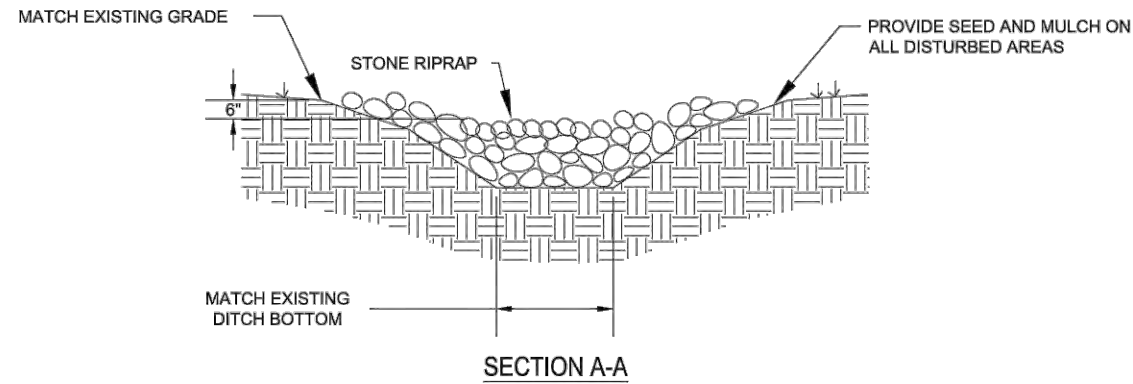
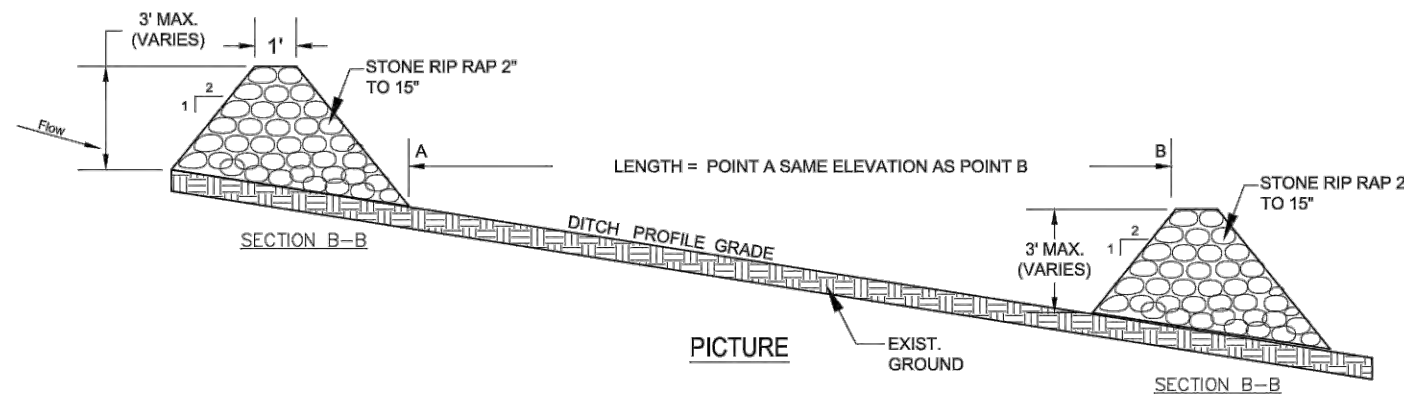


SILT FENCE NOTES

1. POSTS WHICH SUPPORT THE SILT FENCE SHALL BE INSTALLED ON A SLIGHT ANGLE TOWARD THE ANTICIPATED RUNOFF SOURCE. POST MUST BE EMBEDDED A MINIMUM OF ONE FOOT.
2. THE TOE OF THE SILT FENCE SHALL BE TRENCHED IN WITH A SPADE OR MECHANICAL TRENCHER, SO THAT THE DOWNSLOPE FACE OF THE TRENCH IS FLAT AND PERPENDICULAR TO THE LINE OF FLOW. WHERE FENCE CANNOT BE TRENCHED IN (e.g. PAVEMENT), WEIGHT FABRIC FLAP WITH ROCK ON UPHILL SIDE TO PREVENT FLOW FROM SEEPING UNDER FENCE.
3. THE TRENCH MUST BE A MINIMUM OF 6 INCHES DEEP AND 6 INCHES WIDE TO ALLOW FOR THE SILT FENCE FABRIC TO BE LAID IN THE GROUND AND BACKFILLED WITH COMPACTED MATERIAL.
4. SILT FENCE SHOULD BE SECURELY FASTENED TO EACH SUPPORT POST OR TO WOVEN WIRE, WHICH IN TURN IS ATTACHED TO THE FENCE POST. THERE SHALL BE A 3 FOOT OVERLAP, SECURELY FASTENED WHERE ENDS OF FABRIC MEET.
5. REPAIR OR REPLACEMENT SHALL BE MADE PROMPTLY AS NEEDED.
6. SILT FENCE SHALL BE REMOVED WHEN THE SITE IS COMPLETELY STABILIZED SO AS NOT TO BLOCK OR IMPEDE STORM FLOW OR DRAINAGE.
7. ACCUMULATED SILT SHALL BE REMOVED WHEN IT REACHES A DEPTH OF HALF THE HEIGHT OF THE FENCE. THE SILT SHALL BE DISPOSED OF AT AN APPROVED SITE AND IN SUCH A MANNER AS TO NOT CONTRIBUTE TO ADDITIONAL SILTATION.

WIRE REINFORCED SILT FENCE

N.T.S.



INSTALLATION:

1. EXCAVATE KEY-WAY (IF REQUIRED)
2. A GEOTEXTILE FABRIC SHALL BE INSTALLED OVER THE SOIL SURFACE WHERE THE ROCK IS TO BE PLACED (IF REQUIRED)
3. ROCK DIAMETERS SHOULD BE 2" TO 15" IN DIAMETER
4. ROCK DITCH CHECKS SHOULD NOT EXCEED 3 FEET
5. STONES SHOULD BE PLACED UP THE CHANNEL BANKS TO PREVENT WATER FROM CUTTING AROUND THE DITCH CHECK
6. INSTALLATION SHALL BE PLACED EITHER BY HAND OR MECHANICALLY AND NOT JUST DUMPED TO ACHIEVE COMPLETE COVERAGE OF THE DITCH AND ENSURE THE CENTER OF THE DAM IS LOWER THAN THE EDGES
7. MAXIMUM SPACING BETWEEN MULTIPLE DAMS SHOULD BE SUCH THAT THE TOE OF THE UPSTREAM CHECK IS THE SAME AS THE TOP OF THE DOWNSTREAM CHECK

INSPECTION:

- INSPECT ROCK DITCH CHECKS EVERY (7) CALENDAR DAYS AND WITH-IN 24 HOURS AFTER EACH RAINFALL EVENT THAT PRODUCES 1/2" PRECIPITATION.
- SEDIMENT SHOULD BE REMOVED WHEN IT REACHES 1/2 THE ORIGINAL CHECK HEIGHT
- IN THE CASE OF GRASS-LINED DITCHES OR SWALES, ROCK DITCH CHECKS SHOULD BE REMOVED WHEN THE GRASS HAS MATURED SUFFICIENTLY TO PROTECT THE DITCH OR SWALE, IF THE SLOPE IS 4% OR LESS.
- THE AREA BENEATH THE ROCK DITCH CHECKS SHOULD BE SEEDED AND MULCHED IMMEDIATELY AFTER THE CHECK DAM REMOVAL

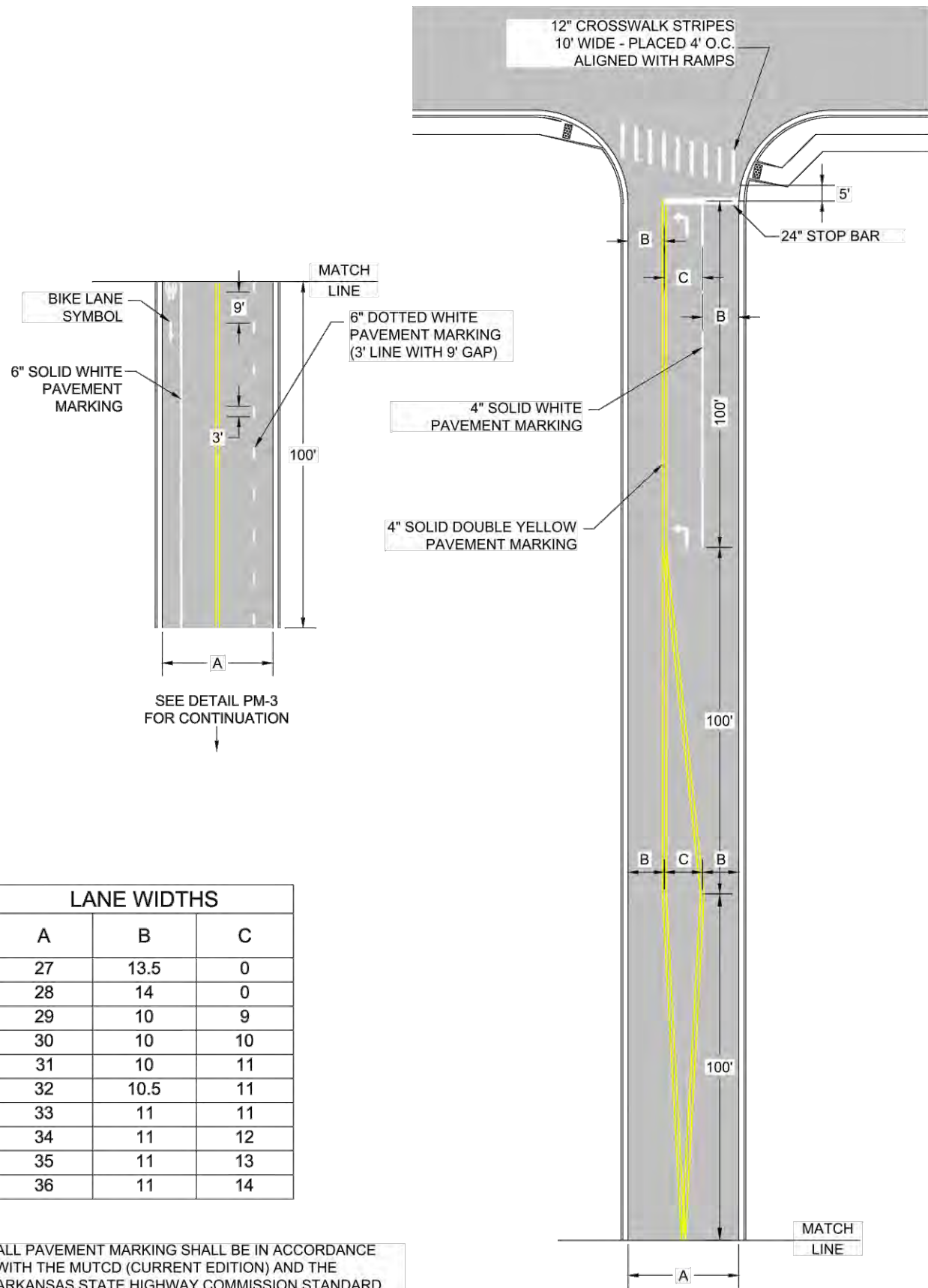
ROCK CHECK DAM

N.T.S.



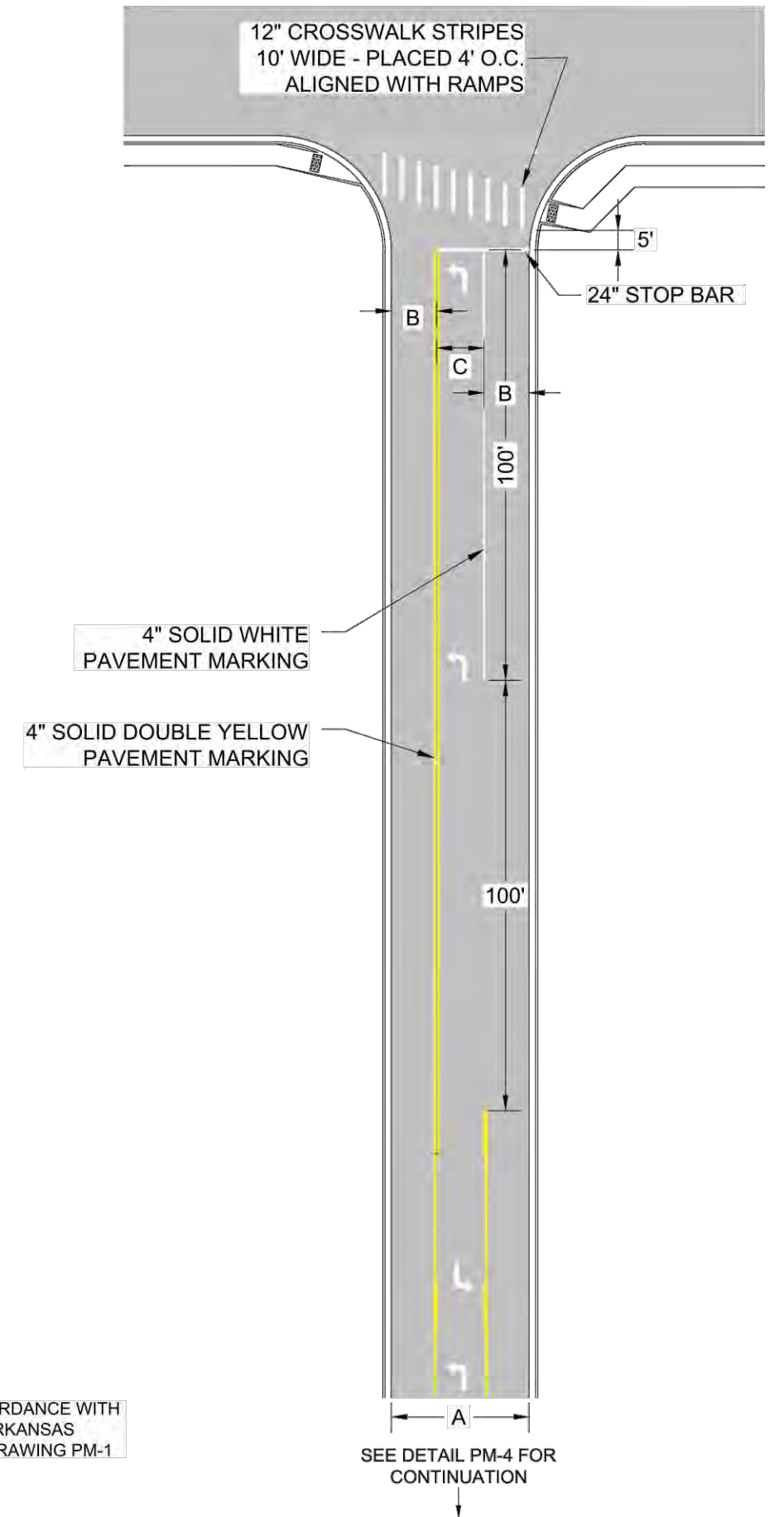
CITY OF CONWAY STREET &
ENGINEERING DEPARTMENT
100 EAST ROBINS
CONWAY, ARKANSAS 72032
501-450-6165

TITLE:	EROSION CONTROL DETAILS	DATE: MAY 2017	SHEET:
DESCRIPTION:	ROCK CHECK DAM	REVISED	
DRAWN BY: NTR	CHECKED BY: BJV	FILE NAME: EC-2 ROCK CHECK DAM.dwg	EC-2



LANE WIDTHS		
A	B	C
27	13.5	0
28	14	0
29	10	9
30	10	10
31	10	11
32	10.5	11
33	11	11
34	11	12
35	11	13
36	11	14

ALL PAVEMENT MARKING SHALL BE IN ACCORDANCE WITH THE MUTCD (CURRENT EDITION) AND THE ARKANSAS STATE HIGHWAY COMMISSION STANDARD DRAWING PM-1



LANE WIDTHS		
A	B	C
27	13.5	0
28	14	0
29	9.5	10
30	10	10
31	10	11
32	10.5	11
33	11	11
34	11	12
35	11	13
36	11.5	13

ALL PAVEMENT MARKING SHALL BE IN ACCORDANCE WITH THE MUTCD (CURRENT EDITION) AND THE ARKANSAS STATE HIGHWAY COMMISSION STANDARD DRAWING PM-1

BIKE LANE SYMBOL
(PLACED AFTER MAJOR
INTERSECTIONS & AT
1,000' INTERVALS)

4" SOLID DOUBLE YELLOW
PAVEMENT MARKING

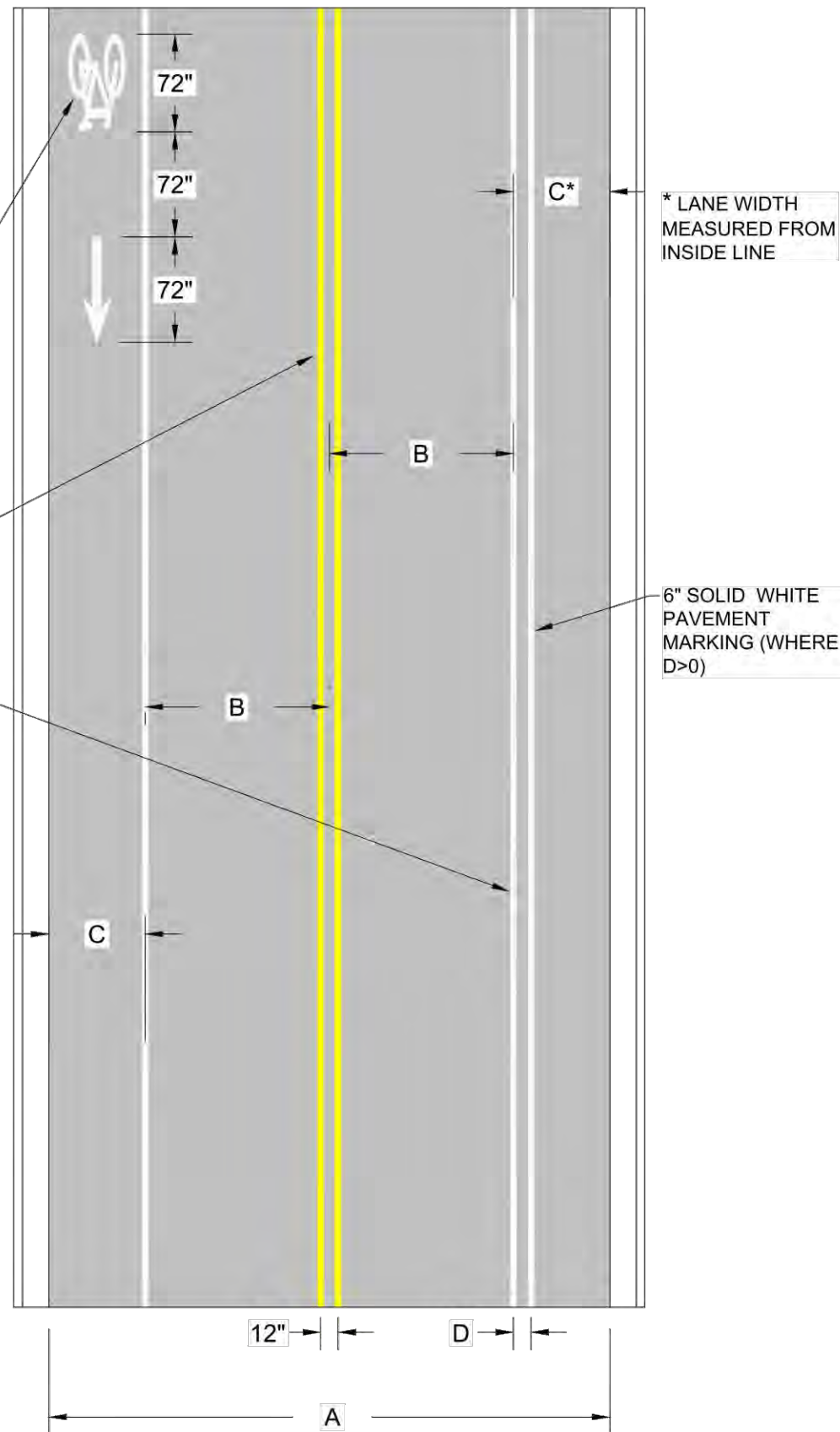
6" SOLID WHITE
PAVEMENT MARKING

* LANE WIDTH
MEASURED FROM
INSIDE LINE

6" SOLID WHITE
PAVEMENT
MARKING (WHERE
D>0)

LANE WIDTHS			
A	B	C	D
27	13.5	0	0
28	10	4	0
29	10	4.5	0
30	10	5	0
31	10	5.5	0
32	10.5	5.5	0
33	11	5.5	1.5
34	11	6	2.0
35	11	6.5	2.5
36	11	7	3

ALL PAVEMENT MARKING SHALL BE IN ACCORDANCE WITH THE MUTCD (CURRENT EDITION) AND THE ARKANSAS STATE HIGHWAY COMMISSION STANDARD DRAWING PM-1



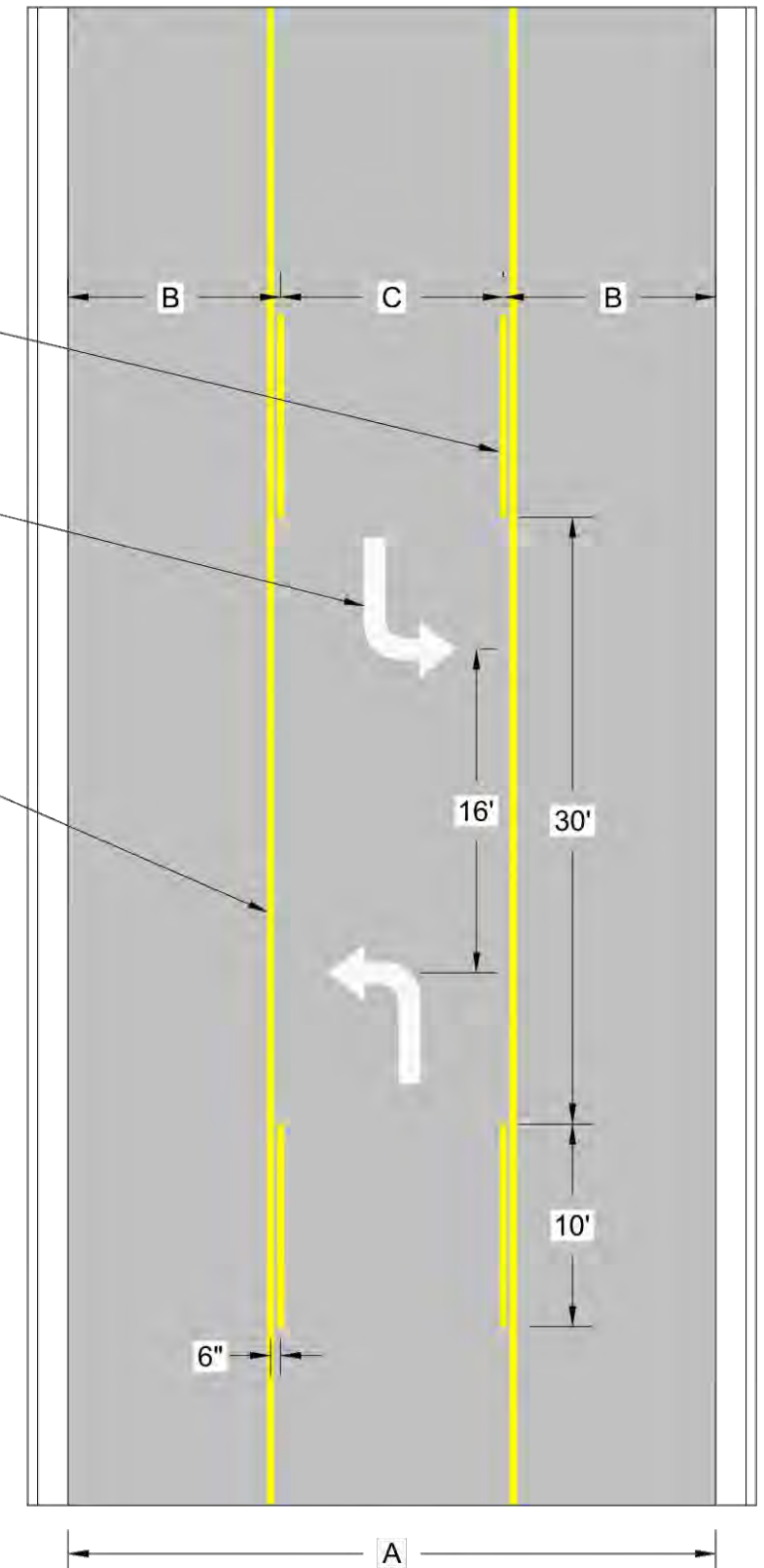
4" BROKEN YELLOW PAVEMENT MARKING
(10' LINE WITH 30' GAP)

MUTCD FIGURE 3B-7 PLACED AT THE
BEGINNING OF A TWO WAY LEFT TURN
AND AT 1,000' SPACING THEREAFTER

4" SOLID YELLOW
PAVEMENT MARKING

LANE WIDTHS		
A	B	C
27	13.5	0
28	14	0
29	9.5	10
30	10	10
31	10	11
32	10.5	11
33	11	11
34	11	12
35	11	13
36	11.5	13

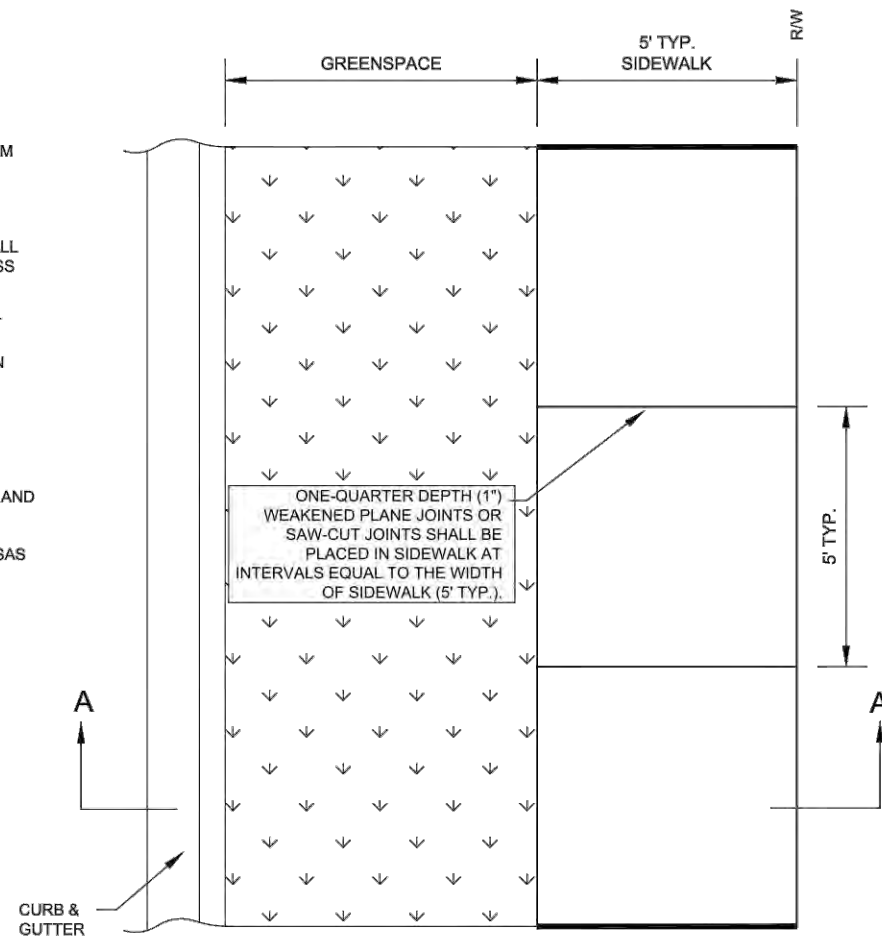
ALL PAVEMENT MARKING SHALL BE IN ACCORDANCE WITH THE MUTCD (CURRENT EDITION) AND THE ARKANSAS STATE HIGHWAY COMMISSION STANDARD DRAWING PM-1



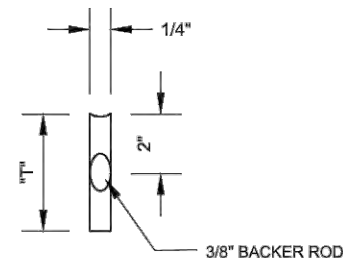
SIDEWALK CONSTRUCTION NOTES:

1. EXPANSION MATERIAL SHALL BE REQUIRED AT 50 FT. MAXIMUM SPACING.
2. SIDEWALK SHALL HAVE TOOLED OR SAW-CUT TRANSVERSE JOINTS AT INTERVALS EQUAL TO THE WIDTH OF SIDEWALK (5' TYP.). THESE WEAKENED PLANE JOINTS (CONTRACTION) JOINTS SHALL BE CONSTRUCTED TO 1/4 DEPTH OF THE SIDEWALK THICKNESS AND SHALL BE 1/8" TO 3/8" WIDE.
3. EXPANSION JOINT MATERIAL SHALL BE PREFORMED ASPHALT IMPREGNATED FIBERBOARD CONFORMING TO AASHTO M-213. EXPANSION JOINT MATERIAL SHALL BE LEFT 1/2" LOWER THAN GRADE OR TRIMMED 1/2" LOWER, AND FILLED WITH SILICONE SEALER TO FINISHED GRADE.
4. ALL COLD JOINTS AND SAW-CUT JOINTS SHALL BE FILLED TO FINISHED GRADE WITH JOINT SEALANT.
5. ALL SIDEWALKS SHALL HAVE ONE-HALF INCH ROLLED EDGES AND A BROOMED FINISH.
6. ALL WORK SHALL COMPLY WITH SECTION 633 OF THE ARKANSAS HIGHWAY AND TRANSPORTATION DEPARTMENT STANDARD SPECIFICATIONS.

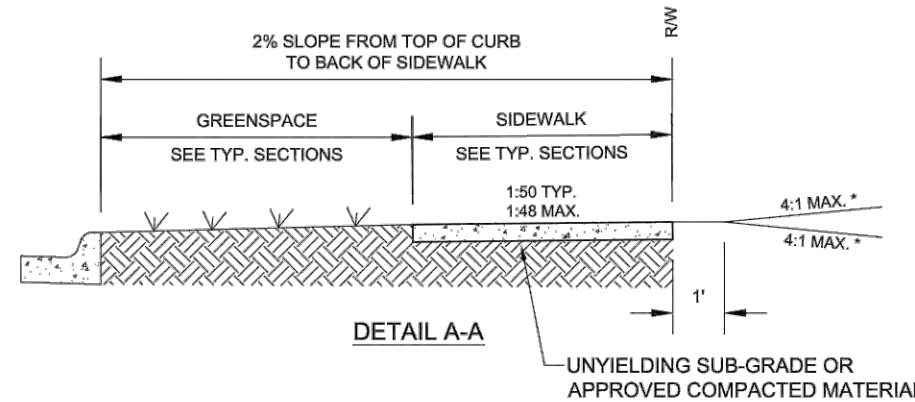
ALL SIDEWALKS REQUIRE INSPECTION BEFORE AND AFTER CONCRETE PLACEMENT. SIDEWALK WILL BE CHECKED FOR ADA REQUIREMENTS & WORKMANSHIP.



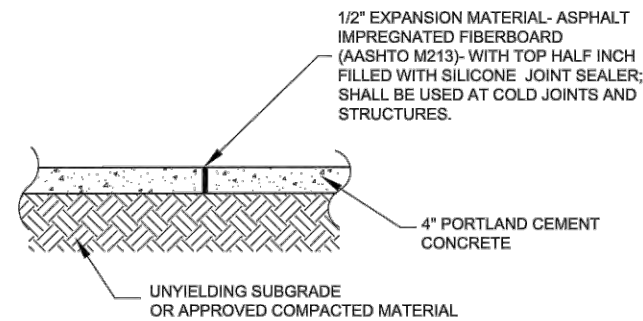
PLAN



JOINT SEALANT DETAIL



DETAIL A-A



ELEVATION

* SEE "DRIVEWAY DETAILS" FOR SIDEWALK SECTION THROUGH DRIVEWAY
EXCAVATION PERMIT REQUIRED TO EXCEED 4:1 MAX SLOPE



CITY OF CONWAY STREET & ENGINEERING DEPARTMENT
100 EAST ROBINS
CONWAY, ARKANSAS 72032
501-450-6165

TITLE:	SIDEWALK DETAILS
DESCRIPTION:	SIDEWALK WITH GREENSPACE
DRAWN BY:	NTR
CHECKED BY:	BFV
FILE NAME:	SW-1 SIDEWALK WITH GREENSPACE.dwg

DATE:	FEBRUARY 2017
SHEET:	REVISED

SW-1