

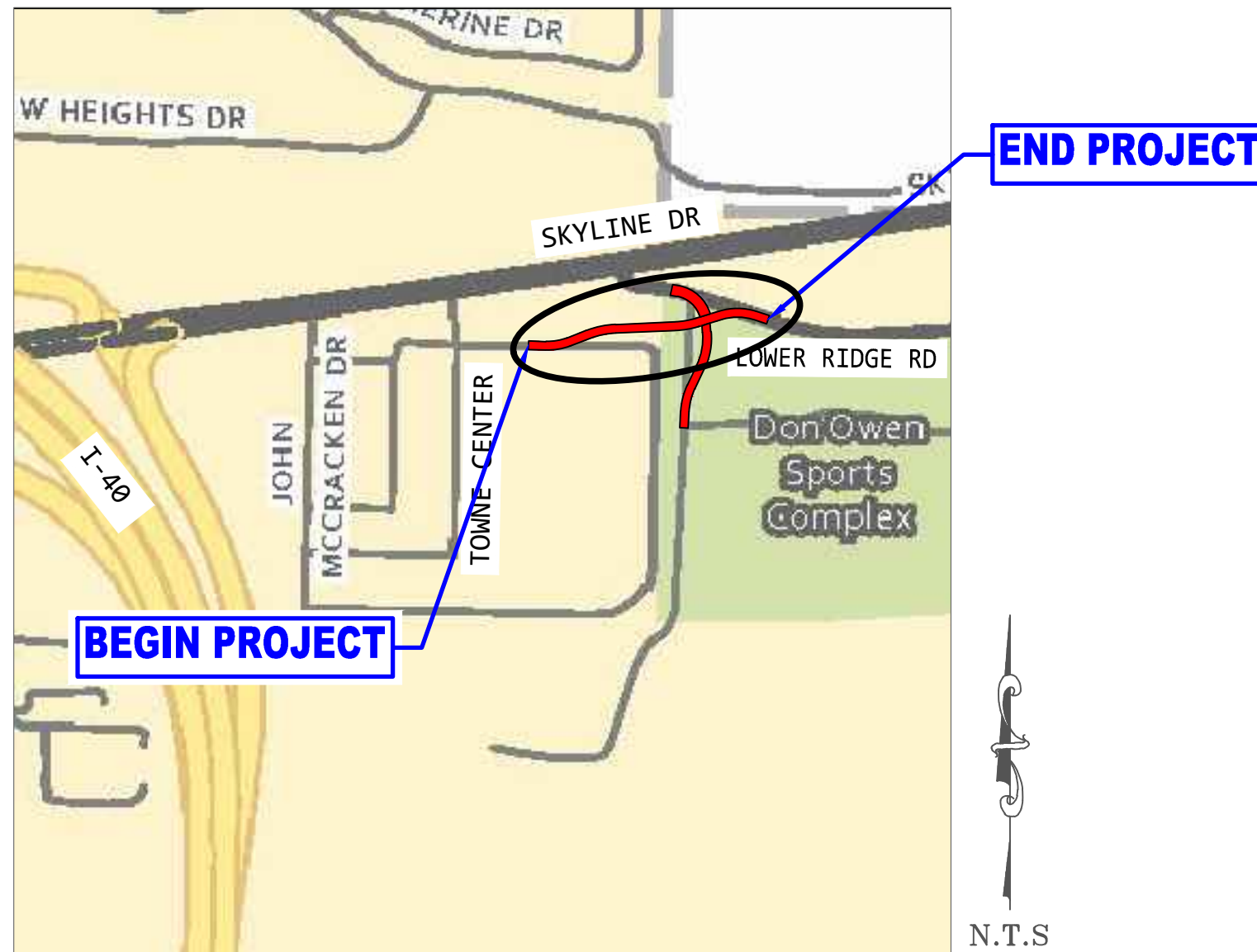
CONWAY TOWNE CENTER ACCESS (LOWER RIDGE RD CONNECTOR ON NEW LOCATION) CONWAY, ARKANSAS CONSTRUCTION PACKAGE

REVISIONS

NO.	DESCRIPTION	DATE

VICINITY MAP

INDEX TO DRAWINGS



*PRELIMINARY
SUBJECT TO REVISION*

CONWAY TOWNE CENTER ACCESS
(LOWER RIDGE RD CONNECTOR ON NEW LOCATION)
CONWAY, ARKANSAS

JOB NUMBER: 19-106
DRAWN BY: MHW1
CHECKED BY: BFV3
DATE: 4-1-2021
SCALE: 1"=40'

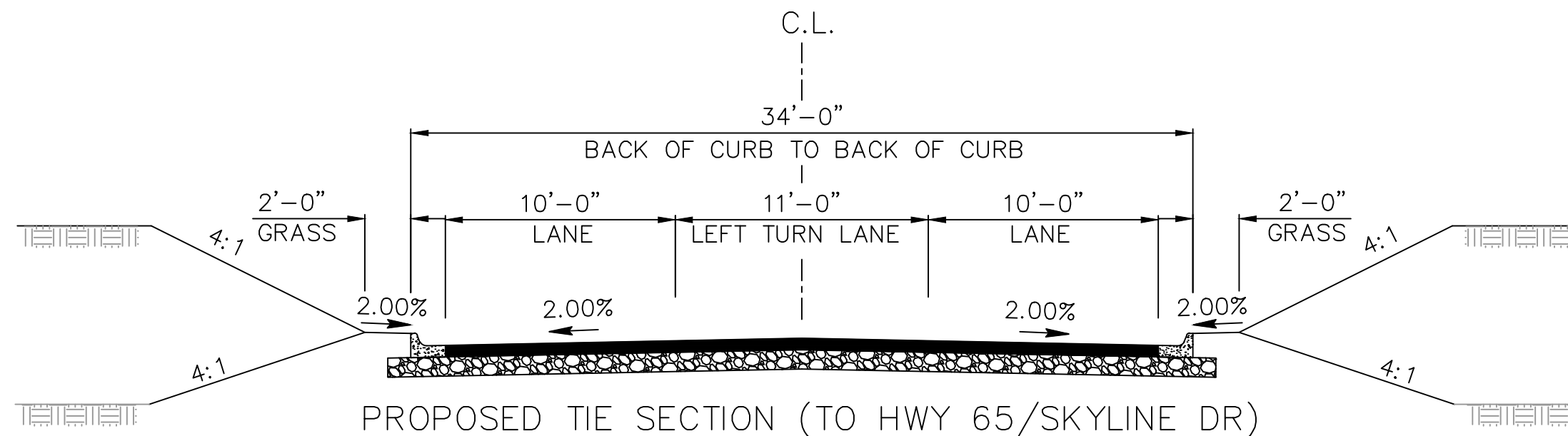
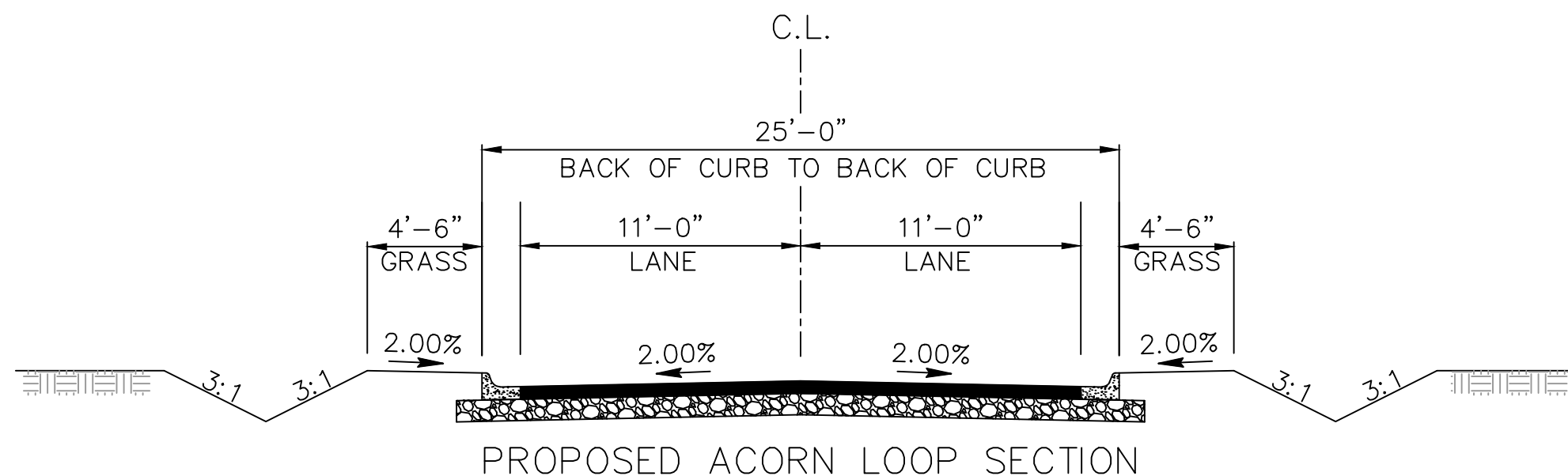
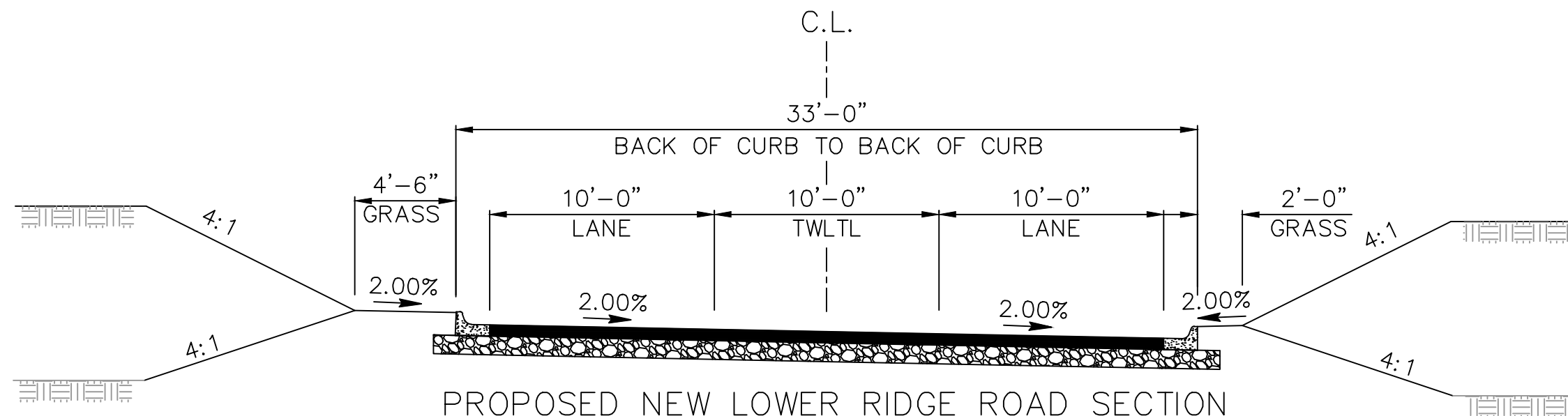
DATE: APRIL 1, 2021
JOB#: 19-106

CONWAY TRANSPORTATION DEPARTMENT
100 E. ROBINS STREET STREET CONWAY, ARKANSAS
PH: 501.450.6165 FAX: 501.513.3566

CONWAY TOWNE
CENTER ACCESS

REVISIONS

NO.	DESCRIPTION	DATE



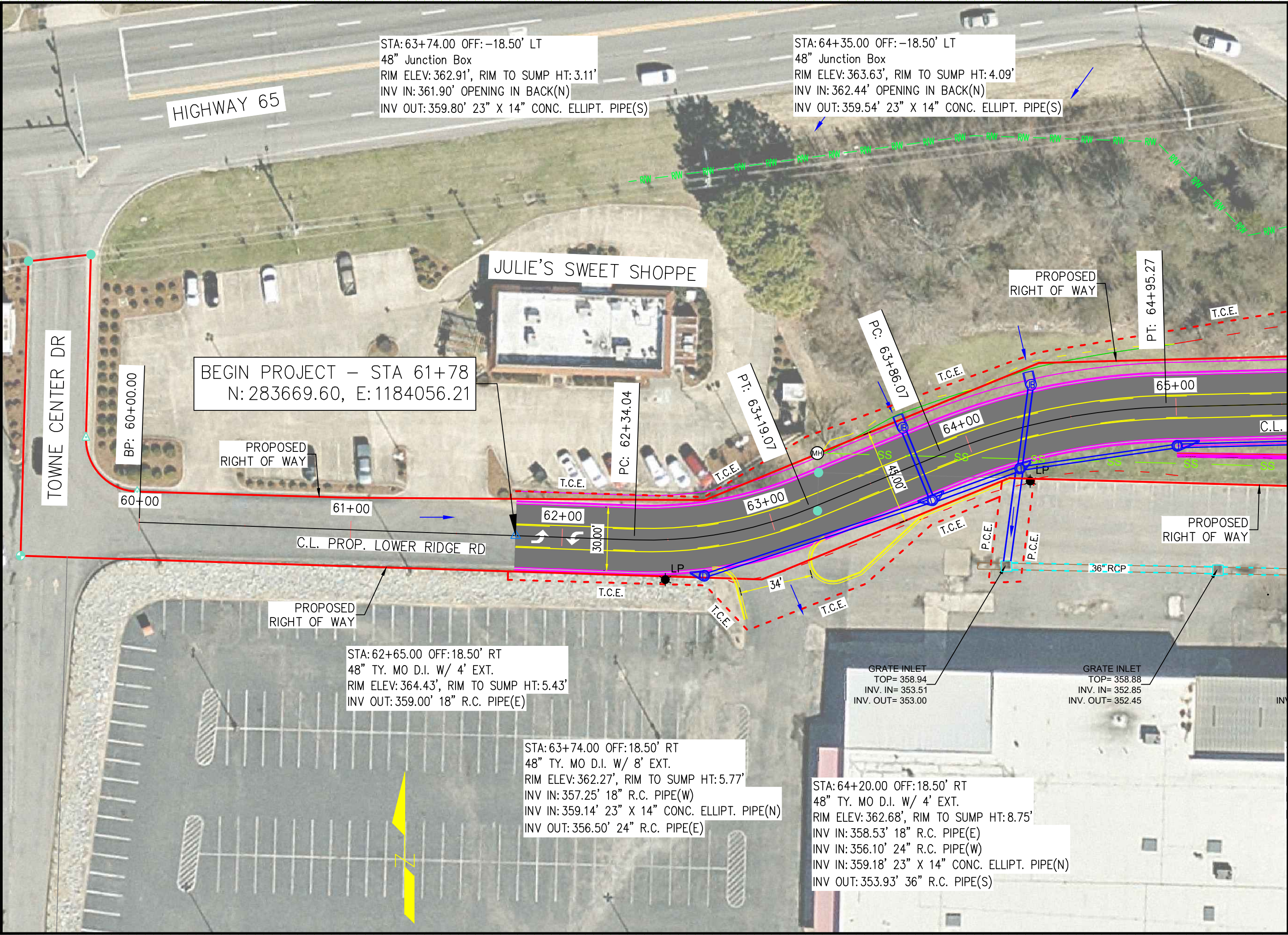
CONWAY TOWNE CENTER ACCESS
(LOWER RIDGE RD CONNECTOR ON NEW LOCATION)
CONWAY, ARKANSAS

JOB NUMBER: 19-106
DRAWN BY: MHW1
CHECKED BY: BFV3
DATE: 4-1-2021
SCALE: 1"=40'

TYPICAL SECTIONS

REVISIONS

NO.	DESCRIPTION	DATE



STA: 63+74.00 OFF: -18.50' LT
48" Junction Box
RIM ELEV: 362.91', RIM TO SUMP HT: 3.11'
INV IN: 361.90' OPENING IN BACK(N)
INV OUT: 359.80' 23" X 14" CONC. ELLIPT. PIPE(S)

STA: 64+35.00 OFF: -18.50' LT
48" Junction Box
RIM ELEV: 363.63', RIM TO SUMP HT: 4.09'
INV IN: 362.44' OPENING IN BACK(N)
INV OUT: 359.54' 23" X 14" CONC. ELLIPT. PIPE(S)

BEGIN PROJECT - STA 61+78
N: 283669.60, E: 1184056.21

STA: 62+65.00 OFF: 18.50' RT
48" TY. MO D.I. W/ 4' EXT.
RIM ELEV: 364.43', RIM TO SUMP HT: 5.43'
INV OUT: 359.00' 18" R.C. PIPE(E)

STA: 63+74.00 OFF: 18.50' RT
48" TY. MO D.I. W/ 8' EXT.
RIM ELEV: 362.27', RIM TO SUMP HT: 5.77'
INV IN: 357.25' 18" R.C. PIPE(W)
INV IN: 359.14' 23" X 14" CONC. ELLIPT. PIPE(N)
INV OUT: 356.50' 24" R.C. PIPE(E)

STA: 64+20.00 OFF: 18.50' RT
48" TY. MO D.I. W/ 4' EXT.
RIM ELEV: 362.68', RIM TO SUMP HT: 8.75'
INV IN: 358.53' 18" R.C. PIPE(E)
INV IN: 356.10' 24" R.C. PIPE(W)
INV IN: 359.18' 23" X 14" CONC. ELLIPT. PIPE(N)
INV OUT: 353.93' 36" R.C. PIPE(S)

GRATE INLET
TOP= 358.94
INV. IN= 353.51
INV. OUT= 353.00

GRATE INLET
TOP= 358.88
INV. IN= 352.85
INV. OUT= 352.45

CONWAY TOWNE CENTER ACCESS
(LOWER RIDGE RD CONNECTOR ON NEW LOCATION)
CONWAY, ARKANSAS

JOB NUMBER: 19-106
DRAWN BY: MHW1
CHECKED BY: BFV3
DATE: 4-6-21
SCALE: 1"=40'

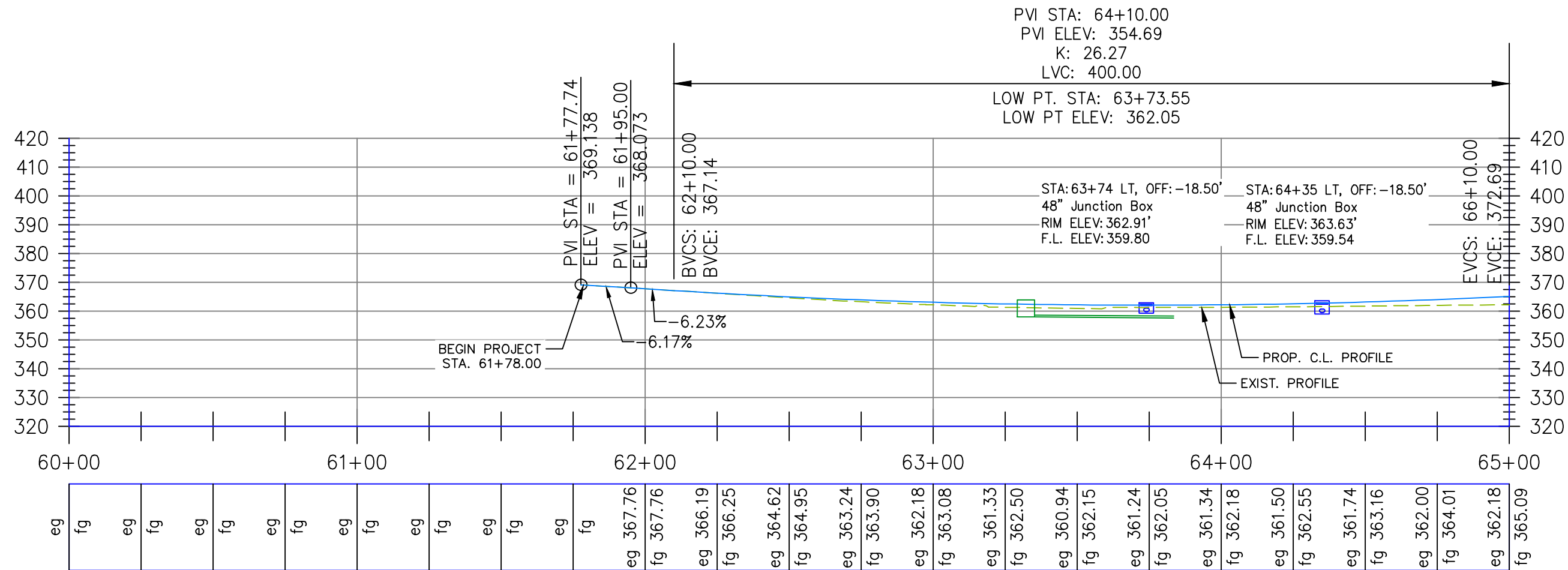
LOWER RIDGE RD
PLAN SHEET

C1

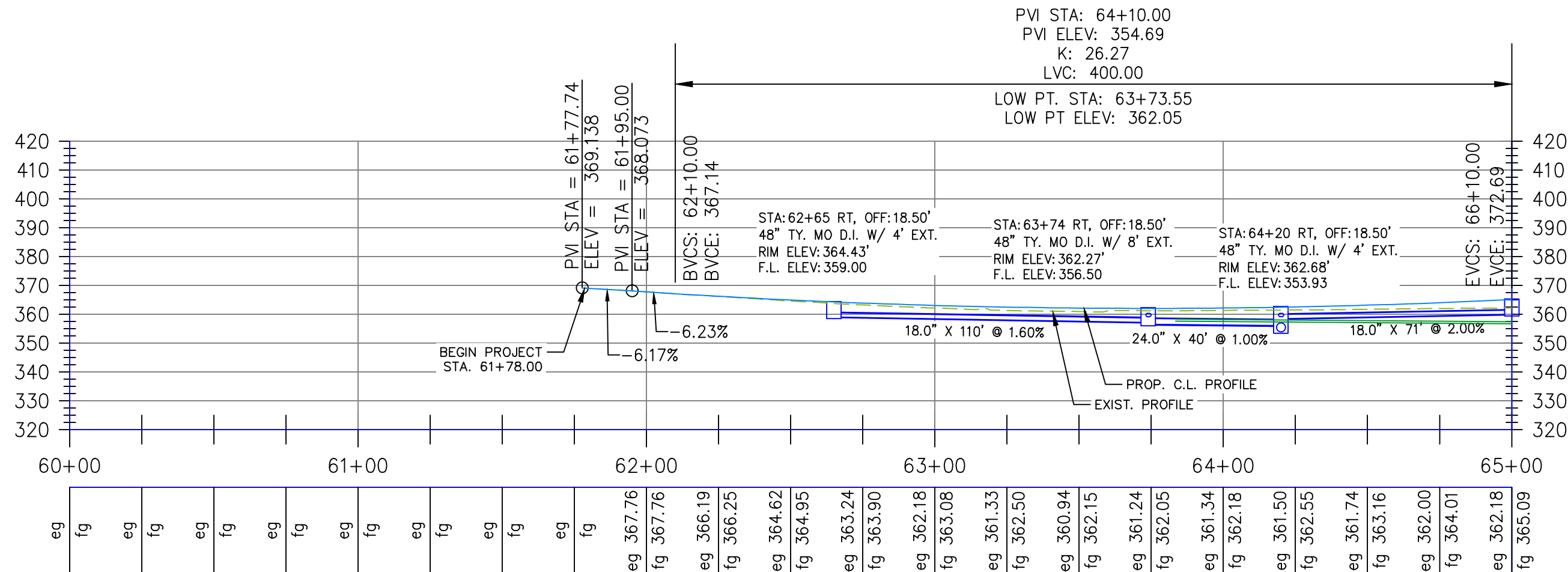
REVISIONS

NO.	DESCRIPTION	DATE

C.L. PROFILE - LOWER RIDGE W/
 LEFT (NORTH) SIDE DRAINAGE



C.L. PROFILE - LOWER RIDGE W/
 RIGHT (SOUTH) SIDE DRAINAGE



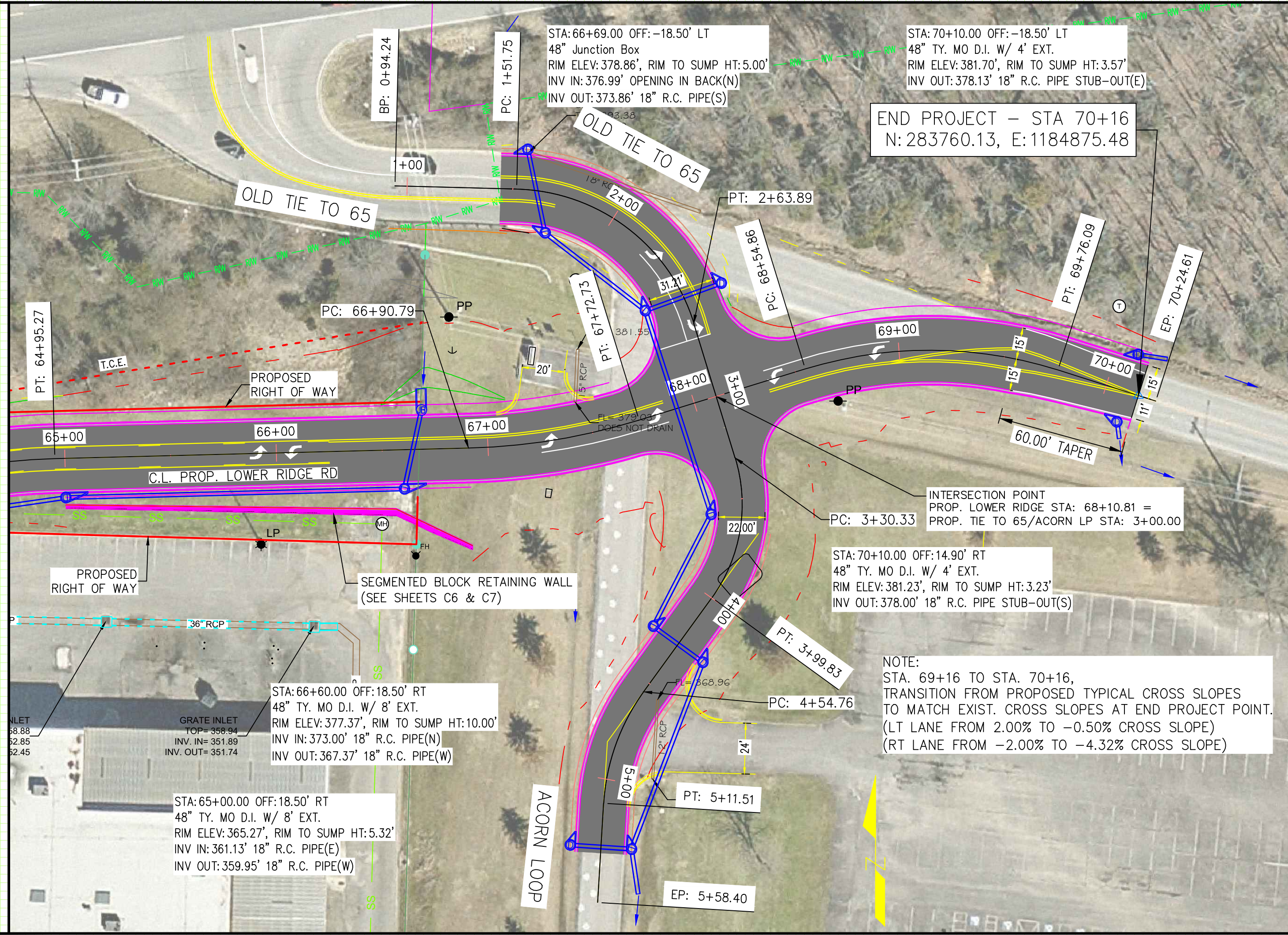
CONWAY TOWNE CENTER ACCESS
 (LOWER RIDGE RD CONNECTOR ON NEW LOCATION)
 CONWAY, ARKANSAS

JOB NUMBER: 19-106
 DRAWN BY: MHW1
 CHECKED BY: BFV3
 DATE: 4-6-21
 SCALE: 1"=40'

LOWER RIDGE RD
 PROFILE SHEET

REVISIONS

NO.	DESCRIPTION	DATE



CONWAY TOWNE CENTER ACCESS
(LOWER RIDGE RD CONNECTOR ON NEW LOCATION)
CONWAY, ARKANSAS

JOB NUMBER: 19-106
 DRAWN BY: MHW1
 CHECKED BY: BFV3
 DATE: 4-6-21
 SCALE: 1"=40'

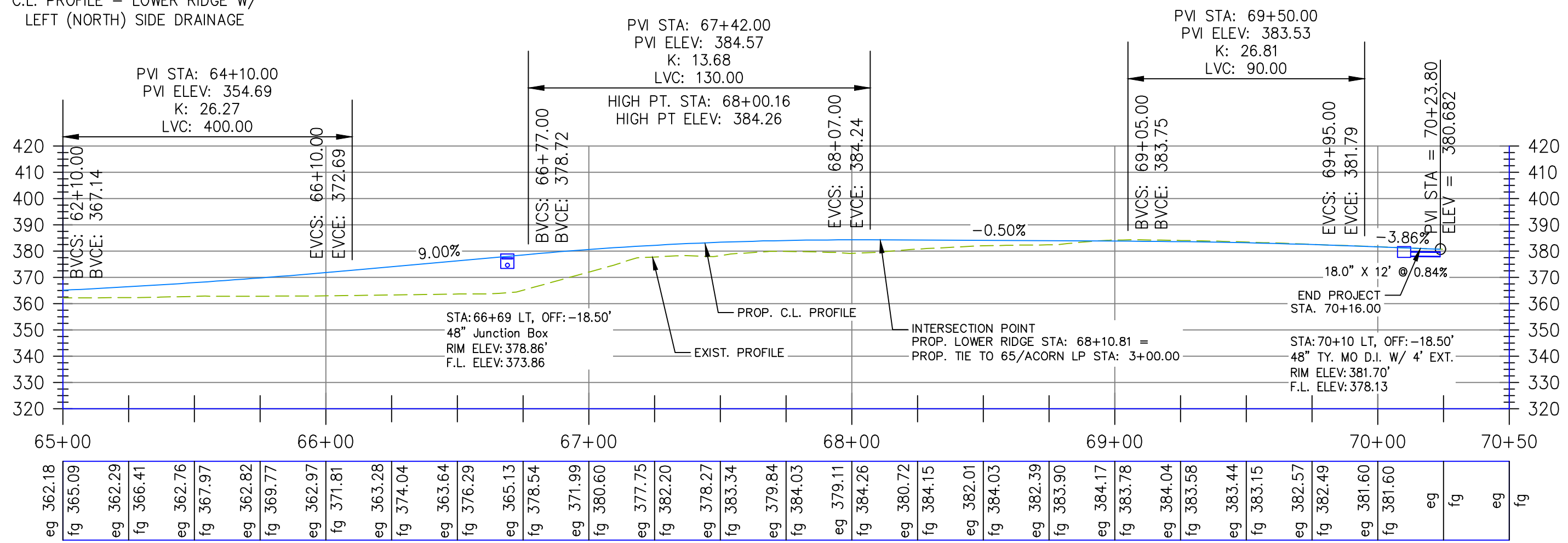
LOWER RIDGE RD
PLAN SHEET

C3

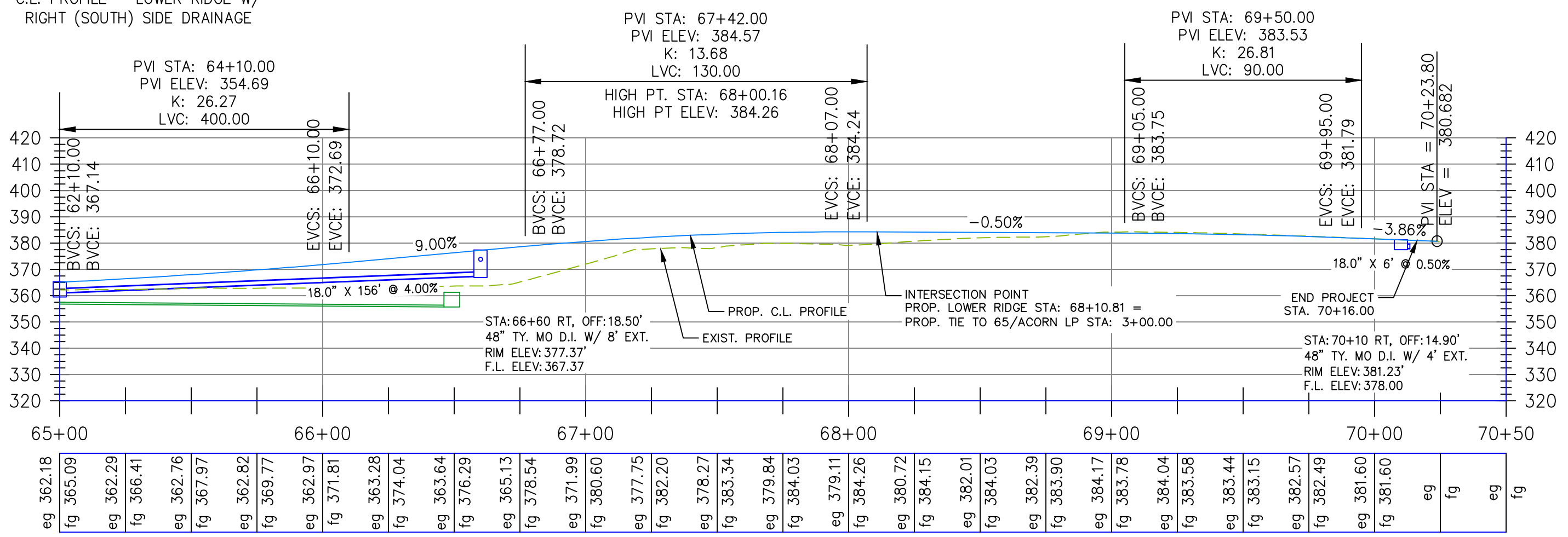
REVISIONS

NO.	DESCRIPTION	DATE

C.L. PROFILE - LOWER RIDGE W/
LEFT (NORTH) SIDE DRAINAGE



C.L. PROFILE - LOWER RIDGE W/
RIGHT (SOUTH) SIDE DRAINAGE



CONWAY TOWNE CENTER ACCESS
(LOWER RIDGE RD CONNECTOR ON NEW LOCATION)
CONWAY, ARKANSAS

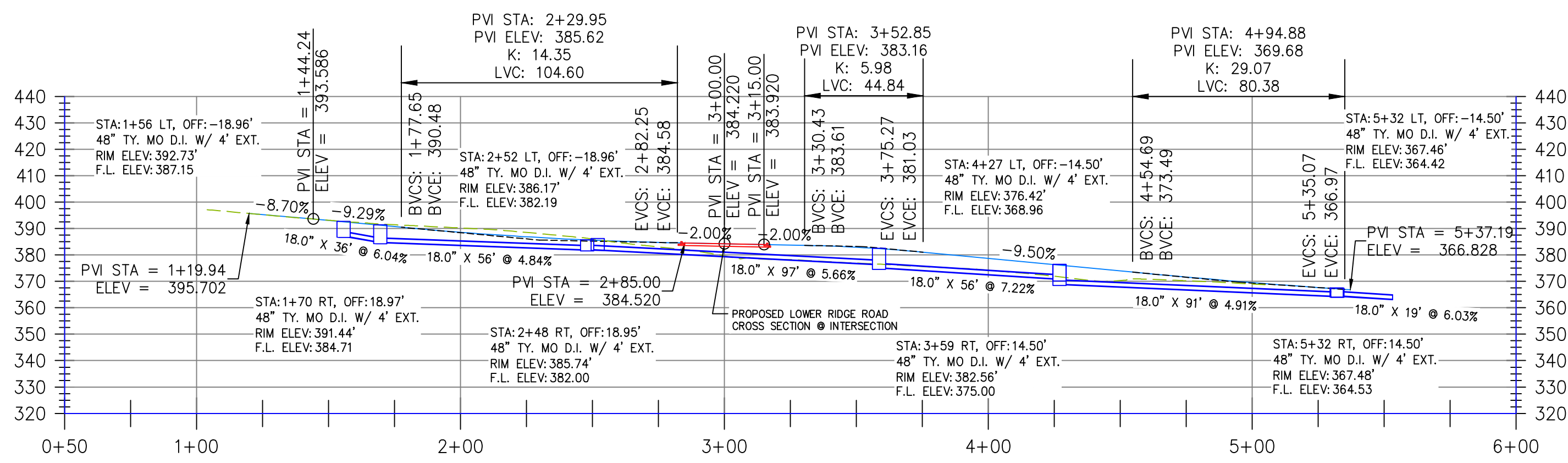
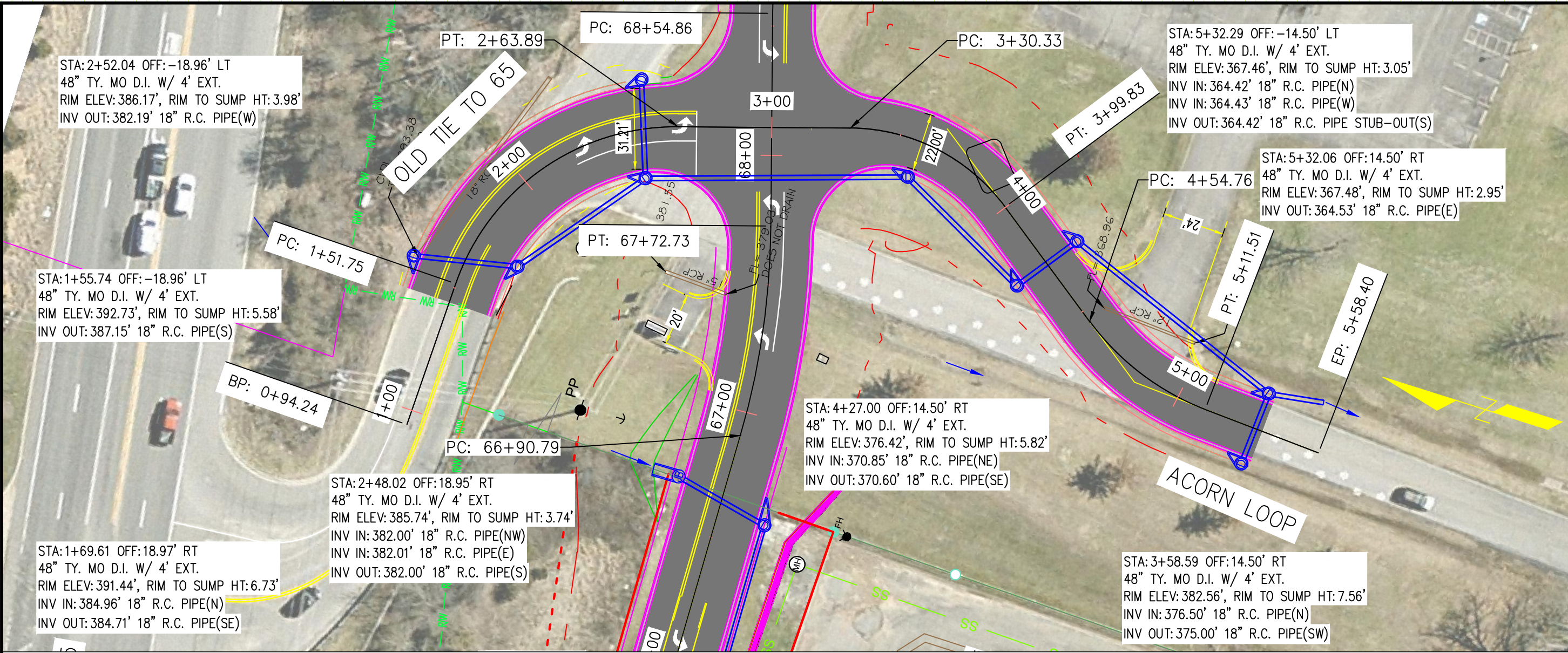
JOB NUMBER: 19-106
DRAWN BY: MHW1
CHECKED BY: BFV3
DATE: 4-6-21
SCALE: 1"=40'

LOWER RIDGE RD
PROFILE SHEET

C4

REVISIONS

NO.	DESCRIPTION	DATE



CONWAY TOWNE CENTER ACCESS
(LOWER RIDGE RD CONNECTOR ON NEW LOCATION)
CONWAY, ARKANSAS

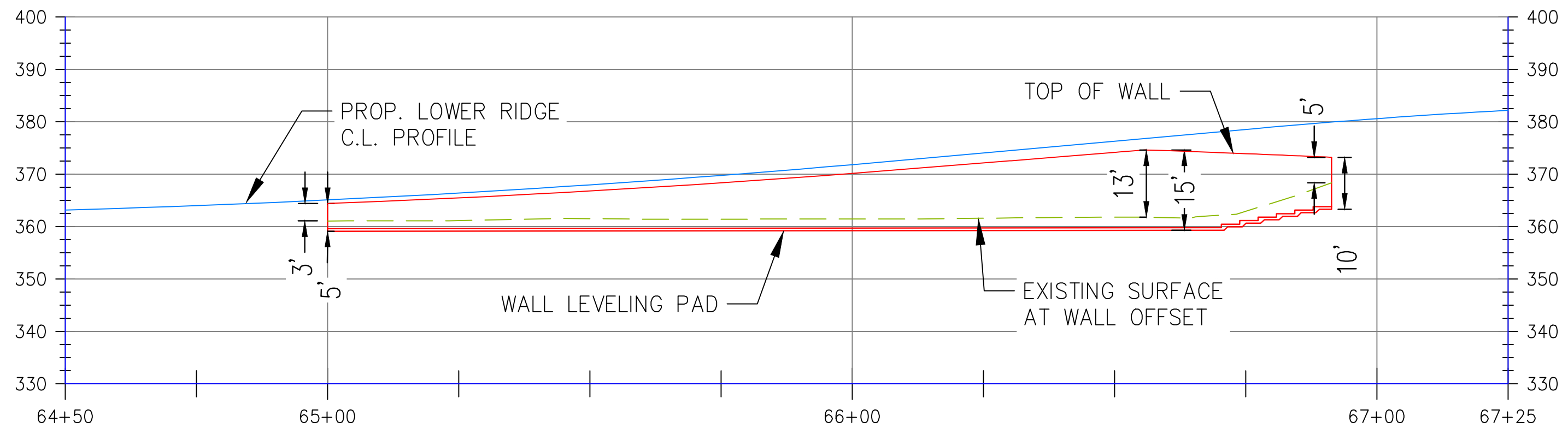
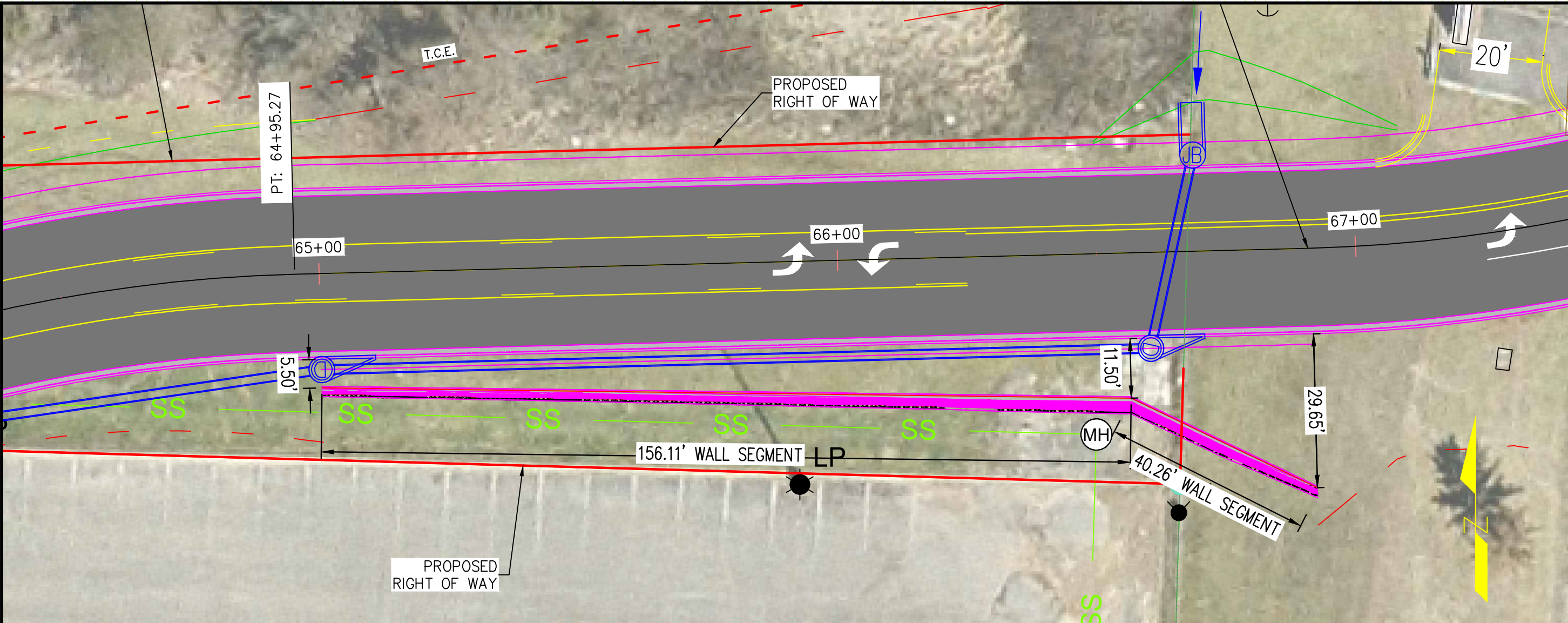
JOB NUMBER: 19-106
DRAWN BY: MHW1
CHECKED BY: BFV3
DATE: 4-6-21
SCALE: 1"=40'

SIDE STREETS
PLAN & PROFILE

C5

REVISIONS

NO.	DESCRIPTION	DATE



CONWAY TOWNE CENTER ACCESS
 (LOWER RIDGE RD CONNECTOR ON NEW LOCATION)
 CONWAY, ARKANSAS

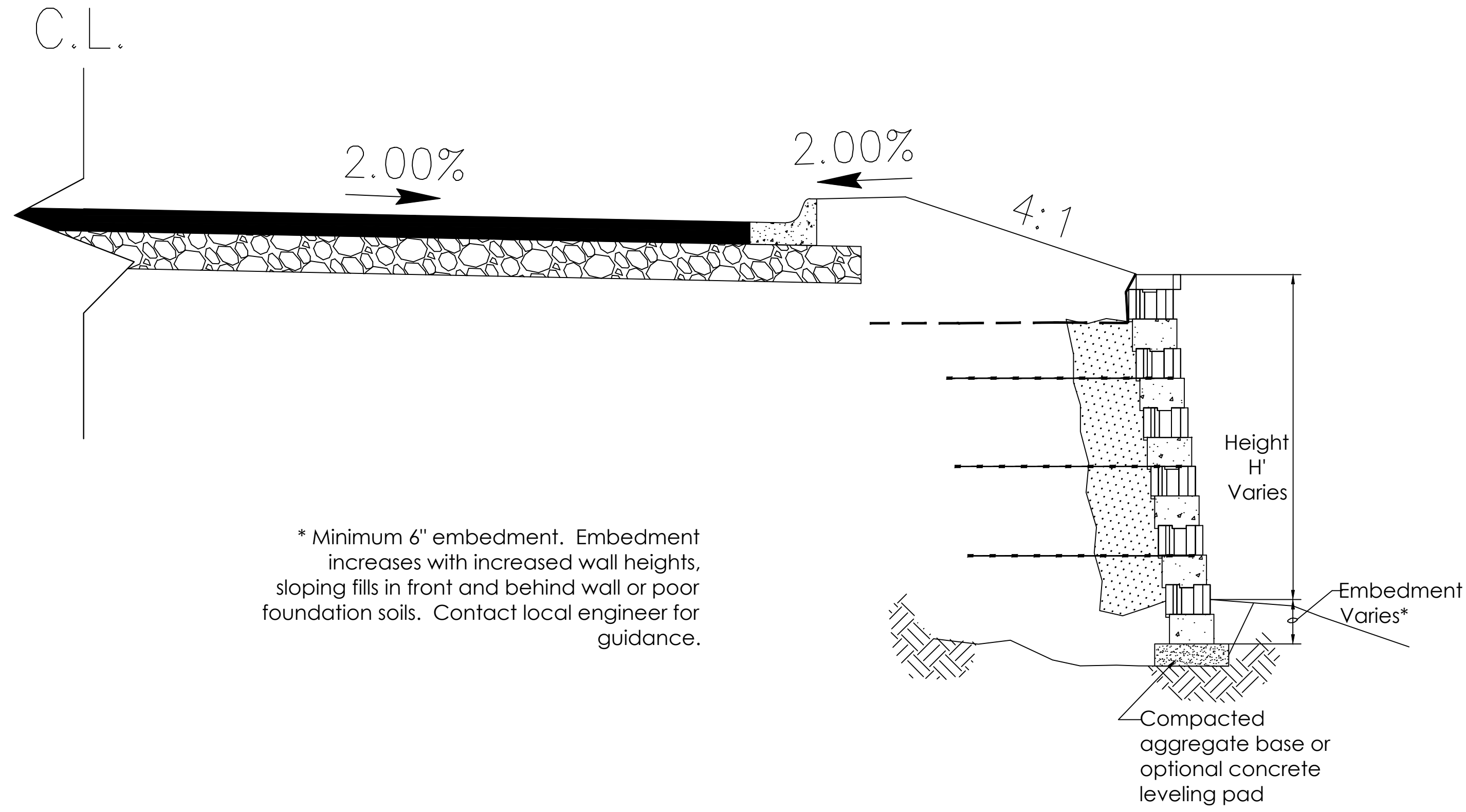
JOB NUMBER: 19-106
 DRAWN BY: MHW1
 CHECKED BY: BFV3
 DATE: 4-6-21
 SCALE: 1"=40'

LOWER RIDGE RD
 WALL DETAILS

C6

REVISIONS

NO.	DESCRIPTION	DATE



CONWAY TOWNE CENTER ACCESS
 (LOWER RIDGE RD CONNECTOR ON NEW LOCATION)
 CONWAY, ARKANSAS

JOB NUMBER: 19-106
 DRAWN BY: MHW1
 CHECKED BY: BFV3
 DATE: 4-6-21
 SCALE: 1"=40'

LOWER RIDGE RD
 WALL DETAILS

C7